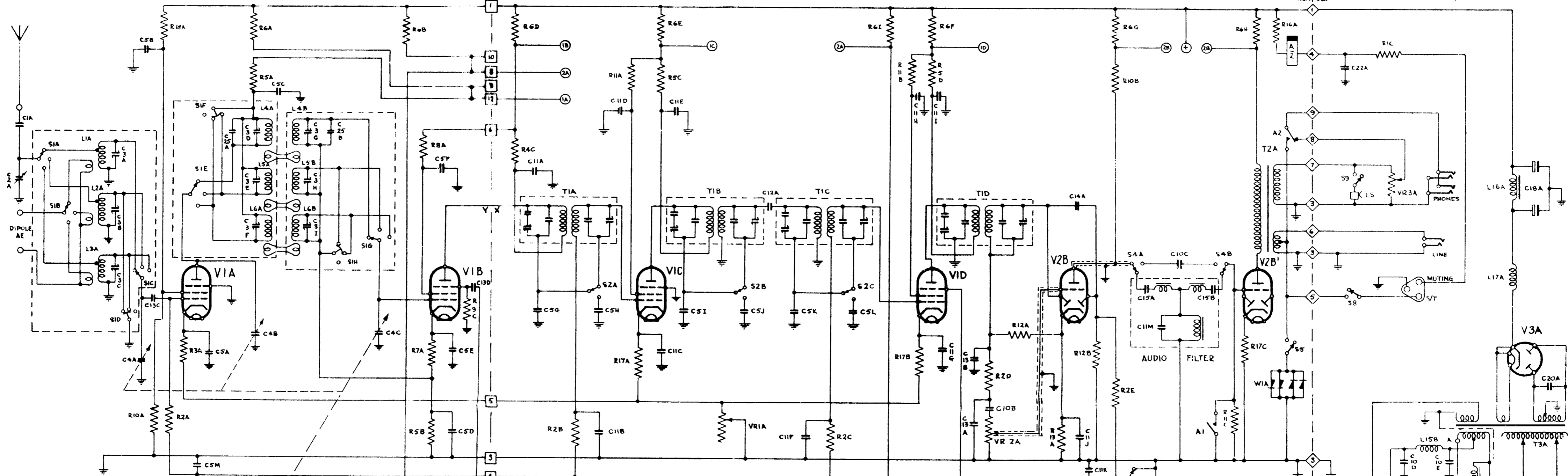


REVISION 1  
 DRAWN BY RMB: 10/27/41  
 CHECKED BY:

RF UNIT

IF/AF UNIT

POWER SUPPLY UNIT



- SWITCHES**
- S1A-L 175-70 Mc/s
  - 0 725-29
  - 0 3-0-12
  - 0 NARROW
  - 0 WIDE
  - S2A-C BFO
  - 0 OFF
  - 0 AVC
  - S3A-B AUDIO FILTER OFF/ON
  - S5 CRASH LIMITER OFF/ON
  - S6A-B POWER OFF/ON
  - 0 DC
  - 0 AC
  - S7A-E
  - 0 DC
  - 0 AC
  - S8 SIDE TO BE OFF/ON
  - S9 LOUSPEAKER OFF/ON

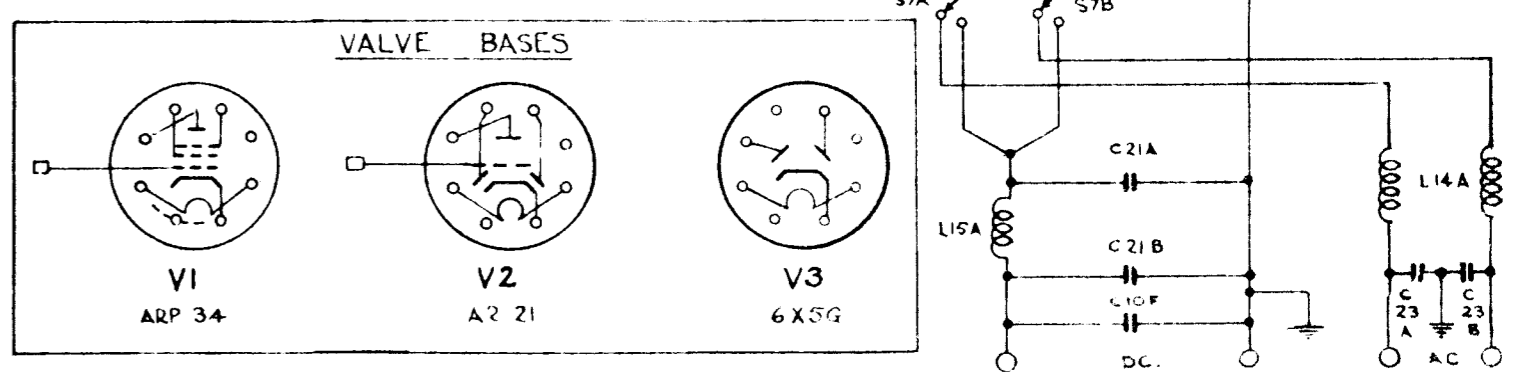
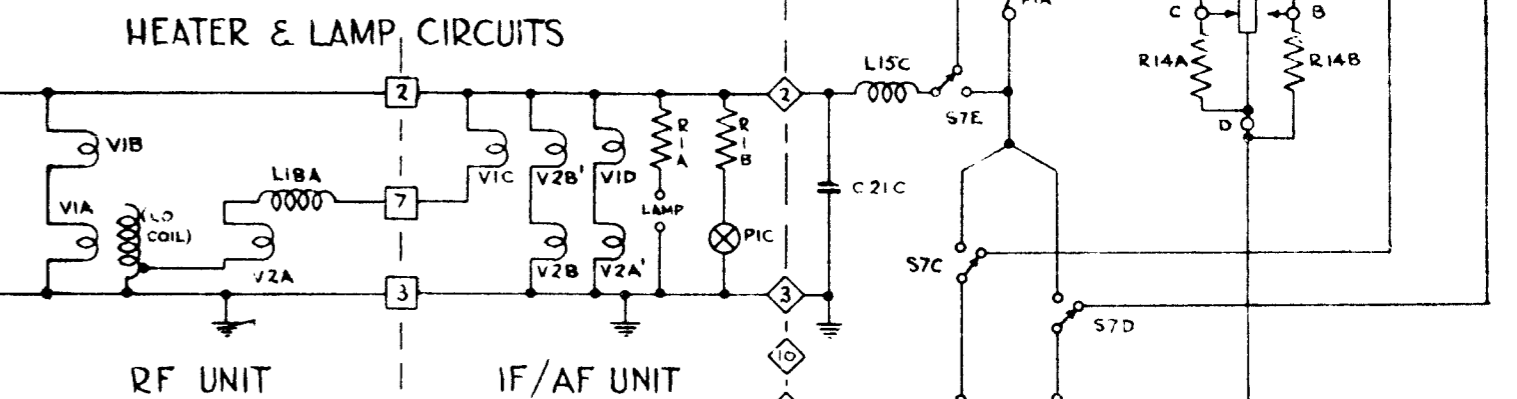
- HEATER CIRCUIT SHOWN SEPARATE
- POINTS ON VALVE TEST PANEL
- POINTS ON TAGBOARDS A & B (INTERCONNECTED)
- ◇ POINTS ON TAGBOARDS C & D (INTERCONNECTED)

WIRELESS RECEIVER R107

M031

**C O M P O N E N T S**

R1 10C A 1/2W	R17 500 A 1/2W	C1 20pF CERAMIC	C17 0.001 MF MICA	L1 1.6 MH
R2 25000 A 1/2W	R18 25000 A 1/2W	C2 50pF VAR	C18 8-8 MF ELECTROLYTIC	L2 10.2 MH
R3 300 A	VR1 4,000 A 1/2W	C3 25pF VAR	C19 0.01 MF MICA	L3 68-9 MH
R4 25000 A	VR2 1/2 M A	C4A D 4x300pF VAR GANGED	C20 1 MF PAPER	L4 1.6 MH
R5 5000 A	VR3 500 A	C5 0.05 MF PAPER IN PORCELAIN TUBE	C21 1 MF PAPER	L5 10.2 MH
R6 3000 A		C6 80pF CERAMIC	C22 4 MF PAPER	L6 60-4 MH
R7 400 A		C7 0.005 MF MICA	C23 0.01 MF MICA	L7 1.5 MH
R8 80,000 A		C8 163L pF	C24 10 pF CERAMIC	L8 8-4 MH
R9 50,000 A		C9 750 pF		L9 40.5 MH
R10 20,000 A		C10 0.01 MF		L10 112 MH
R11 100,000 A		C11 0.1 MF PAPER IN PORCELAIN TUBE		L11 707-700 MH
R12 1/2 M A		C12 2.2 MF STONE		L12 100 MH
R13 1,000 A		C13 200pF CERAMIC		L13 2.0 MH
R14 150 A		C14 100pF CERAMIC		L14 707-700 MH
R15 30,000 A		C15 0.001 MF		L15 1.5 MH
R16 15,000 A 3W		C16 100pF VAR		L16 730 MH



REVISION 1  
 DRAWN BY RMB: 10/27/41  
 CHECKED BY: