

PHILIPS

SERVICE NOTES

For the oscilloscope

GM5653-02



1952

GENERAL

N.B. These Service Notes deal with GM5653-02 and GM5653-02F. By the former type is meant the one without a codeletter behind the SERIAL NUMBER and by the latter is meant the type with the letter F behind the SERIAL NUMBER.

Both types GM5653-02 are derived from the GM5653-00. For the description of the electrical system and alignment see the service notes of the GM5653-00.

In the following the differences with respect to the GM5653-00 are described in detail.

DIFFERENCES OF TYPE /02 WITH RESPECT TO TYPE /00

Supply circuit: A PL81 is used for B11 instead of a UL41.

Amplifier for vertical deflection: R34 and R40 are both shunted by C28 and C87 for symmetry. The amplifier can be more easily aligned.

Tune base:

- a) A potentiometer (R57) is inserted in the screen grid circuit of B7 for the adjustment of the current through this valve.
- b) In the 10th position of SK3 (100-500 kc/s) R144 is shunted by R146, thus improving the linearity of the sawtooth. In this position the frequency-range is enlarged also.
- c) The flyback-pulse is taken from R47 and applied to the control grid of the C.R.T. (cathode ray tube) via SK10, C72, and C71.
- d) SK9 (mechanically coupled to R8) is added. With SK9 in the top position and SK2 in position 4 it is possible to reproduce the positive half cycle of a signal only. The action is as follows: A signal from the amplifier is applied to the control grid of B7 via R58. The time base is controlled by this signal. If no signal is applied, the capacitors C33-C41 are charged and the cathode of B6 is at a low potential with respect to earth, because B6 is blocked (B7 conducts). If sufficient negative voltage is applied to the control grid of B7, B7 will be blocked and B6 will conduct. The capacitors discharge via B6 (flyback of the time base). If the potential of the control grid of B7 becomes zero and then positive, B7 starts conducting again.

- B6 is blocked and a scan of the sawtooth voltage follows. The result is that the time-base operates only during a positive half cycle of the signal from the amplifier. This corresponds to the positive half of signal applied to Bu5-Bu6.
- e) In the 6th position of SK2 a sine-wave voltage of 50 c/s is taken from C78-R106 and C79-R107 and applied to the X plates. By means of this sine wave time-base Lissajous can be reproduced on the screen. A voltage of approx. 6V RMS can be taken from the plugs Bu3-Bu4. Section II of SK2 has two more contacts than the corresponding section of SK2 in the GM5653-00.
 - f) For better alignment of the time-base the circuit of B8 has been altered a little.

CHECKING AND ALIGNMENT

This is entirely the same as for the /00 design except for the following points:

- a) Amplifier; under 3 frequency characteristic; adjust with C28 at 150 kc/s until the waveform is straight.
- b) Time base; under 4; replace B8 and double the amplitude with R53. The amplitude may be enlarged with C61 at high frequencies if necessary.
- c) SK2 in position 6; the C.R.T. is driven in the X direction with a sine-wave voltage of 50 c/s, which can be taken from Bu1 and Bu2 with respect to Bu3. For each plug this voltage is approx. 30V with respect to Bu1. A voltage of 6V R.M.S. can be taken from Bu3-Bu4.
- d) SK3 in 10th position; has a frequency range of 100-500 kc/s.

DIFFERENCES OF /02F WITH RESPECT TO TYPE /00.

This design has the same differences as the /02 design, but the phase inverter stage has been modified (see fig.2). To prevent distortion of the beginning of the pulse at a single-stroke of the time-base, the control grid of B8 is connected to a potentiometer via R144.

Q and R are at a potential of approx. -85 V and +85 V resp. the current through B8 is adjusted in such a way that no grid-current is drawn by the saw-tooth voltage. A single-stroke of the time-base can be obtained by connecting Bu3 to Bu4 and opening and closing this connection very rapidly. If Bu3-Bu4 is opened a fly-back follows, on closing the connection a scan is the result. The fly-back, which is the beginning of the time-base stroke, may be so large as to draw grid-current (B8) and consequently also the beginning of the following scan takes place partly in the grid current region and is distorted.

With R53 the current through B8 is so adjusted that the flyback starts as close as possible to the cut-off point and therefore the entire space is utilized. Due to the improvement of the "single-stroke time-base", the current distribution is modified; the stabilizing valve receives not enough current and under certain circumstances it could extinguish and disturb the correct action of the time-base and the attenuator B16. The circuit of B16 has therefore been modified. R128 and R10 have been removed and replaced by R10-5600 Ω 1,5W. Moreover, R42 and R2, R2' are connected to the top of R146. Also the synchronisation has been improved in this design. The synchronisation signal is now taken from the anode of B3 and is applied to R8 via R148/C95, C60, R66/C89, SK2¹, C96/R153.

Finally the circuit that prevents hum in the synchronising signal has been improved; R150, R151 and R152 have been added for this purpose.

The dotted lines in the circuit diagram indicate the connection of the plug for large-screen oscillography. The connections to the plug have

not yet been made because this reduces the frequency response of the amplifier. The connection should be made only when the apparatus is to be used for large-screen purpose.

CHECKING AND ALIGNMENT

This is entirely the same as for the /00 design, except for the time-base which is aligned as follows;

1. Time-base switch SK3 at 1500 and R6 at 1x. R8 in position "trigg" (fully anti-clockwise). SK2 in position 4. Wait until the spot appears on the screen and no longer moves. R3 fully anti-clockwise. Turn R53 slowly to the right. The spot moves along the screen now, until the valve is cut-off. The valve should be biased at just a little before cut-off. This is done as follows:
Connect a voltmeter between the cathode of B8 and earth and adjust R53 until the voltmeter reads approx. +1,4V.
Another method is to adjust R53 in such a way that the spot moves a little more and then stops. The adjustment is as follows;
Turn R53 to the right until the spot no longer moves, then turn R53 a few degrees in the reverse direction. Both methods give a correct biasing of the valve.
2. SK3 at 1500 and R6 at 1x, R8 in position 10 (fully clockwise). SK2 at position intern. Adjust with R5 so that both the beginning and intern the end of the time-base line appears on the screen. Produce ten peaks on the screen by means of a GM2315 and align with C57 for linearity.
3. SK3 at 10,000 and R6 at 5x, produce again ten peaks on the screen by means GM2883 and align for linearity with C61.
4. All positions of SK3 with R6 fully anti-clockwise and fully clockwise should be checked for linearity. The amplitude of the time-base should be at least 86 mm for frequencies from 5-25000 c/s and for higher frequencies at least 60 mm (R5 and R6 fully clockwise).

MECHANICAL DIFFERENCES OF/O2 AND /O2F DESIGN WITH RESPECT TO /00 DESIGN

The main differences are;

- a) Another textplate.
- b) SK7, SK10, SK11 are plugs with internal switches.
- c) Bu16 and Bu17 are electrostatically screened with a metal cap.
- d) Plug for large screen connection; not connected.

LIST OF MECHANICAL PARTS

Fig.	Item	Description	Codenumber	
7	1	Spindle	E3 870 19.0	
	2	Bush	A1 612 06.0	
	3	Spring	A1 986 06.1	
	4	Textplate	M7 756 06.0	
	5	Terminal plate	M7 111 58.1	
	6	Plug socket	E2 490 08.0	
	7	Knob with pointer ϕ 30	E2 440 67.0	
		Cap for same	23 653 38.0	
		Pointer for same	23 680 53.0	
		Countersunk screw	07 810 06.1	
	8	Knob with pointer, ϕ 22	E2 440 54.0	
		Cap for same	23 653 40.0	
	9	Transparent screen	E7 748 11.0	
	10	Rubber ring for window	E2 475 44.0	
		Felt ring in light cap	M7 133 82.0	
	11	Safety cartridge VP2, VP3, 5A	08 140 33.2	
	12	Safety cartridge holder	B1 505 06.0	
	13	Set screw 2,6 x 4	07 461 00.0	
	14	Milled knob	E1 920 06.2	
	15	Nut	07 094 02.0	
	16	Switch SK8	M7 429 75.0	
	17	Mains connection	E2 555 65.0	
	18	Rubber	E2 475 56.0	
	20	Voltage adaptor	A1 138 14.1	
	21	Plug socket	E2 490 08.0	
	22	Knob for SK6	M7 071 04.0	
	25	Connecting strip	M7 411 74.0	
	26	Valve holder B9	B1 505 67.0	
	27	Switch SK6	M7 429 66.0	
	28	Spacer 3.2x5.x14 for R90	07 005 27.0	
	29	Strip	M7 411 67.0	
	30	Hard paper ring for L7	M7 134 07.0	
	31	Valve holder B11	B1 505 22.0	
	31	Top cap for B11	A3 307 24.0	
	32	Milled nut	07 601 90.0	
	35	Valve holder B16	B1 505 00.3	
	36	Mounting support	E2 544 21.0	
	37	Lamp holder	08 515 21.1	
	38	Strip	M7 411 76.0	
	39	Strip	M7 411 77.0	
	41	Ceramic sleeve	M7 210 50.2	
	42	Flanged bush	M7 043 04.0	
	44	Insulating ring for C64, C65, C67	49 654 45.0	
	45	Soldering lug for same	M7 315 51.0	
		Locker for pcs.41 and 42	E1 581 22.0	
	19	46	Soldering lug	M7 315 50.0
		48	Strip	M7 411 98.0
		49	Strip	E7 412 52.0
		51	Milled nut	07 611 40.0

Fig.	Item	Description	Codenumber	
19	52	Valve holder B12-B15	B1 505 47.0	
	53	Terminal plate	M7 412 18.0	
	55	Terminal plate	M7 412 24.0	
	56	High tension terminal	M7 412 05.1	
	57	Cable	34 008 12/1	
	58	Milled screw	O7 741 21.0	
	59	Grip	M7 716 16.1	
	60	Screw 3 x 12	O7 763 12.0	
	61	Anode contact	B1 885 06.0	
	62	Strip	M7 412 46.0	
	63	Strip	M7 412 47.0	
	22	66	Metal can	M7 696 68.0
		67	Text plate	M7 182 68.0
		68	Rivet 1,7 x 4	O7 136 01.0
		69	Pin	E2 261 41.2
		70	Dise with bush	A9 864 12.1
		71	Screw	E2 466 54.0
		72	Milled nut	O7 601 90.1
		73	Plug	E2 796 43.1
		74	Bush, over cable	E2 098 49.0
		75	Bush	E2 098 50.0
		76	Screened, insulated cable	34 090 08/134 ^Z
77		Milled nut 3 mm	O7 601 90.1	
78		Screw	E2 467 61.0	
79		Cable cyclet	O8 190 12.1	
80		Plug	E2 556 38.0	
			Type O2 ^F only	
		Locker	E1 581 22.0	
		Fixing hush	M7 043 04.0	
		Rubber sleeve	M7 210 50.2	
		Plug (multi-pole)	E2 555 57.0	
8	22a	Plug socket with switch	A3 186 07.0	
8	22b			
8	19	Text plate	M7 183 99.0	

T1			M7 614 28.1	R47	1000	ohm		48 556 10/1K
L1			M7 450 01.0	R48	47	ohm		48 555 10/47E
L2			M7 573 04.0	R49	10000	ohm		49 472 20.0
L3			M7 573 04.0	R50	47	ohm		48 556 10/47E
L4			M7 573 04.0	R51	47	ohm		48 555 10/47E
L5			M7 573 04.0	R52	10000	ohm		48 556 05/10K
L6			M7 513 06.0	R53	1	Mohm		49 472 28.0
L7			M7 513 06.0	R54	82000	ohm4xpar.	4x	48 557 10/82K
L8			M7 573 03.0	R55	47	ohm		48 555 10/47E
R1	1	Mohm	49 473 58.0	R56	47	ohm		48 555 10/47E
R1'	1	Mohm	49 473 58.0	R57	20000	ohm		49 472 24.0
R2	1	Mohm	49 473 58.0	R58	6800	ohm		48 556 10/68K
R2'	1	Mohm	49 473 58.0	R59	10	Mohm		48 557 10/10M
R3	20000	ohm	49 501 04.0	R60	47	ohm		48 555 10/47E
R4	0,5	Mohm	49 473 13.0	R61				
R5	1000	ohm	49 472 41.0	R62	2200	ohm		48 556 05/22K
R6	5000	ohm	49 473 56.0	R63	33000	ohm		48 557 05/33K
R7	5000	ohm	49 473 56.0	R64	8200	ohm		48 556 05/82K
R8	1	Mohm	49 500 38.0	R65				
R9	39000	ohm	48 767 05/39K	R66	1	Mohm		48 556 10/1M
R10	22000	ohm	48 767 05/22K	R67	47	ohm		48 556 10/47E
R11	33000	ohm	48 557 05/33K	R69	0,47	Mohm		48 556 10/470K
R12	560	ohm	48 556 05/560E	R70	5,6	Mohm		48 557 10/56K
R13	56	ohm	48 556 05/56E	R71	10	Mohm		48 557 10/10M
R14	470	ohm	48 556 10/470E	R72	0,47	Mohm		48 557 10/470K
R15	10000	ohm	49 472 20.0	R73	10	Mohm		48 557 10/10M
R16	5600	ohm	48 556 05/56K	R74	39000	ohm		48 557 10/39K
R17	4,7	Mohm	48 557 10/47E	R75	82000	ohm		48 557 10/82K
R18	330	ohm	48 556 05/330E	R76	27000	ohm		48 556 10/27K
R19	47	ohm	48 555 10/47E	R77	0,18	Mohm)	par.	48 557 10/180K
R20	470	ohm	48 556 10/470E		0,15	Mohm)		48 557 10/150K
R21	220	ohm	48 556 10/220E	R78	10000	ohm		48 556 10/10K
R22	3300	ohm	48 556 05/33K	R79	0,47	Mohm		48 556 10/470K
R23	150	ohm	48 556 05/150E	R80	1	Mohm		48 556 10/1M
R24	47	ohm	48 555 10/47E	R81	900	ohm		48 516 10/900E
R25	2200	ohm	48 556 05/22K	R82	47	ohm		48 555 10/47E
R26	470	ohm	48 555 10/470E	R83	47	ohm		48 555 10/47E
R27	0,68	Mohm	48 556 05/680K	R84	47	ohm		48 555 10/47E
R28	1	Mohm	49 472 24.0	R85	6800	ohm		48 557 10/68K
R29	150	ohm	48 556 05/150E	R86	47	ohm		48 555 10/47E
R30	47	ohm	48 555 10/47E	R87	22000	ohm		48 557 10/22K
R31	470	ohm	48 555 10/470E	R88	0,22	Mohm		48 556 10/220K
R32	1	Mohm	48 556 10/1M	R89	0,15	Mohm		48 556 10/150K
R33	10000/2	ohm	48 557 05/10K	R90	0,1	Mohm		49 472 28.0
R34	150	ohm	48 556 05/150E	R91	10000	ohm		48 556 10/10K
R35	47	ohm	48 555 10/47E	R92	56000	ohm		48 557 10/56K
R36	2200	ohm	48 556 05/22K	R93	68000	ohm		48 557 10/68K
R37	470	ohm	48 555 10/470E	R94	56000	ohm		48 557 10/56K
R38	1	Mohm	48 556 10/1M	R95	68000	ohm		48 557 10/68K
R39	10000/2	ohm	48 557 05/10K	R96	10000	ohm		48 556 10/10K
R40	150	ohm	48 556 05/150E	R97	100	ohm		48 557 10/100E
R41	47	ohm	48 555 10/47E	R98	100	ohm		48 557 10/100E
R42	0,1	Mohm	49 472 28.0	R99	100	ohm		48 557 10/100E
R43	47	ohm	48 555 10/47E	R100	100	ohm		48 557 10/100E
R44	6800	ohm	48 556 10/68K	R101	50	ohm		48 557 10/100E
R45	100	ohm	48 556 10/100E	R103	18000	ohm)	par.	(48 557 05/18K
R46	2200	ohm	48 556 05/22K		22000	ohm)		(48 557 05/22K

R104	5,6	Mohm	48 557 10/5M6	C6	12,5+12,5	uF	48 317 11/12,5+
R105	1800	ohm	48 496 10/1K8				12,5
R106	2,2	Mohm	48 557 10/2M2	C7	12,5+12,5	uF	48 317 11/12,5+
R107	2,2	Mohm	48 557 10/2M2				12,5
R108	820	ohm	48 556 05/820E	C8	12,5+12,5	uF	48 317 11/12,5+
R109	2700	ohm	48 556 05/2K7				12,5
R110	56000	ohm	48 557 10/56K	C22	8,2	pF	48 211 20/8E2
R111	68000	ohm	48 557 10/68K	C23	0,47	uF	48 790 10/470K
R112	56000	ohm	48 557 10/56K	C24	0,22	uF	48 791 10/220K
R113	68000	ohm	48 557 10/68K	C25	0,22	uF	48 791 10/220K
R114	56000	ohm	48 557 10/56K	C26	16	uF	48 112 10/C16E
R115	38000	ohm	48 557 10/68K	C26	330	pF	48 429 10/330E
R116	56000	ohm	48 557 10/56K	C27	0,1	uF	48 791 10/100K
R117	68000	ohm	48 557 10/68K	C28	400	pF	49 005 54.0
R118	1000	ohm	48 556 10/1K	C29	0,22	uF	48 791 10/220K
R119	4,7	Mohm	48 557 10/4M7	C30	0,1	uF	48 791 10/100K
R120	47	ohm	48 556 10/47E	C31	0,1	uF	48 791 10/100K
R121	47	ohm	48 556 10/47E	C32	0,1	uF	48 791 10/100K
R122	1,5	Mohm	48 556 10/1M5	C33	27	pF	48 429 05/27E
				C34	150	pF	48 429 10/150E
R124	10	Mohm	M7 632 15.0	C35	270	pF	48 429 10/270E
R125	1	Mohm	48 556 10/1K	C36	1000	pF	48 104 10/V1K
R126	0,22	Mohm	48 552 02/220K	C37	3300	pF	48 104 10/V3K3
R127	220	ohm	48 556 10/220E	C38	10000	pF	48 104 10/E10K
R128	82000	ohm	48 557 10/82K	C39	33000	pF	48 105 10/T33K
				C40	0,15	uF	48 105 10/C150K
R130	1	Mohm	48 557 10/1M	C41	0,39	uF	48 106 10/C390K
R131	10	Mohm	48 557 10/10M	C42	0,1	uF	48 791 10/100K
R132	10	Mohm	48 557 10/10M	C43	0,1	uF	48 791 10/100K
R133	10	Mohm	48 557 10/10M				
R154	1,2	Mohm	48 552 02/1M2	C46	22000	pF	48 791 10/22K
R135	0,22	Mohm	48 556 10/220K	C47	68	pF	48 429 10/68E
R136	2200	ohm	48 556 10/2K2	C48	150	pF	48 429 10/150E
R137	33000	ohm	48 557 05/33K	C49	270	pF	48 429 10/270E
R138	33000	ohm	48 556 10/33K	C50	1000	pF	48 104 10/V1K
R139	8200/2	ohm	2x48 557 05/8K2	C51	3300	pF	48 104 10/V3K3
R140	8200/2	ohm	2x48 557 05/8K1	C52	10000	pF	48 104 10/E10K
R141	10000	ohm	48 556 10/10K	C53	33000	pF	48 105 10/T33K
R142	10000	ohm	48 556 10/10K	C54	0,15	uF	48 105 10/C150K
R143	2,2	Mohm	48 556 10/2M2	C55	0,39	uF	48 106 10/C390K
R144	1,5	Mohm	48 557 05/1M5	C56	270	pF	48 213 05/270E
R145	0,1	Mohm	48 556 10/100K	C57	12,5	pF	XU 052 16.0
R146	2,2	Mohm	48 556 10/2M2	C58	27	pF	48 429 10/27E
				C59	0,47	uF	48 791 10/470K
La1			85A1	C60	0,22	uF	48 791 10/220K
La2			85A1	C61	draadtrimmer		49 005 53.2
La3			8045D/00		wire trimmer		
V12			03 140 33.2		Condensateur		
V13			03 140 33.2		de réglage à fil		
					trimmer de alambre		
					Drahtabgleich-		
C1	0,1	uF	48 792 10/100K		kondensator		
C2	12,5+12,5	uF	48 317 09/12,5+	C62	0,47	uF	48 791 10/470K
			12,5	C63	220	pF	48 213 10/220E
C3	360	pF	48 429 05/360E	C64	50+50	uF	48 317 59/50+50
C4	25+25	uF	48 317 09/25+25	C65	50+50	uF	48 317 59/50+50
C5	12,5+12,5	uF	48 317 11/12,5+	C66	0,22	uF	48 791 10/220K
			12,5	C67	25+25	uF	48 317 11/25+25

C68	25+25	uF	48 317 11/25+25	C85	4	pF	XU 052 19.0
C69	0,22	uF	48 792 10/220K	C86	3-30	pF	28 212 36.4
C71	47000	pF	48 105 10/V47K	C87	270	pF	48 213 05/270E
C72	47000	pF	48 105 10/V47K	C89	47	pF	48 213 05/47E
C73	0,47	uF	48 791 10/470K	C90	18	pF	48 211 05/18E
C74	12,5+12,5	uF	48 317 11/12,5+ 12,5	C91	4,7	pF	48 210 20/4E7
C75	12,5+12,5	uF	48 317 11/12,5+ 12,5	C92	0,15	uF	48 791 10/150K
C76	12,5+12,5	uF	48 317 11/12,5+ 12,5	C93	0,47	uF	48 791 10/470K
C77	12,5+12,5	uF	48 317 11/12,5+ 12,5	B1			EF42
C78	15000	pF	48 791 10/15K	B2			EF42
C79	15000	pF	48 791 10/15K	B3			EL41
C80	10000	pF	48 797 20/10K	B4			EL41
C81	10000	pF	48 797 20/10K	B5			EF42
C82	0,22	uF	48 791 10/220K	B6			UF42
C83	10000	pF	48 791 10/10K	B7			EF42
C84	10000	pF	48 791 10/10K	B8			EF42
				B9			DG10-6
				B10			EF42
				B11			PL81
				B12			AZ41
				B13			AZ41
				B14			AZ41
				B15			AZ41
				B16			EF42

T1			R7 C14 28.0	.17	1000	ohm	48 556 10/1K
L1			R7 450 01.0	R48	47	ohm	48 555 10/47E
L2			R7 573 04.0	R49	10000	ohm	49 472 20.0
L3			R7 573 04.0	R50	47	ohm	48 556 10/47E
L4			R7 573 04.0	R51	47	ohm	48 555 10/47E
L5			R7 573 04.0	R52	10000	ohm	48 556 10/10K
L6			R7 513 06.0	R53	1	Mohm	49 472 28.0
L7			R7 513 06.0	R54	82000	ohm	48 557 10/92K
L8			R7 573 06.0	R55	47	ohm	48 555 10/47E
R1	1	Mohm	49 473 58.0	R56	47	ohm	48 555 10/47E
R1'	1	Mohm	49 473 58.0	R57	20000	ohm	49 472 24.0
R2	1	Mohm	49 473 58.0	R58	6800	ohm	48 556 10/68K
R2'	1	Mohm	49 473 58.0	R59	10	Mohm	48 557 10/10M
R3	20000	ohm	49 501 04.0	R60	47	ohm	48 555 10/47E
R4	0,5	Mohm	49 473 13.0	R61			
R5	1000	ohm	49 472 41.0	R62	1000	ohm	48 556 05/1K1
R6	5000	ohm	49 473 56.0	R63	47000	ohm	48 557 05/47K
R7	5000	ohm	49 473 58.0	R64	47	ohm	48 556 10/47E
R8	1	Mohm	49 500 38.0	R65			
R9	39000	ohm	48 767 05/39K	R66	1	Mohm	48 556 10/1K
R10	5800	ohm	48 558 10/5K6	R67	47	ohm	48 556 10/47E
R11	32000	ohm	48 557 05/32K	R69	0,47	Mohm	48 556 10/470K
R12	560	ohm	48 556 05/560E	R70	5,6	Mohm	48 557 10/56K
R13	58	ohm	48 556 05/58E	R71	10	Mohm	48 557 10/10M
R14	470	ohm	48 556 10/470E	R72	0,47	Mohm	48 557 10/470K
R15	10000	ohm	49 472 20.0	R73	10	Mohm	48 557 10/10M
R16	5800	ohm	48 556 05/5K6	R74	39000	ohm	48 557 10/39K
R17	4,7	Mohm	48 557 10/47E	R75	82000	ohm	48 557 10/82K
R18	330	ohm	48 556 05/330E	R76	27000	ohm	48 556 10/27K
R19	47	ohm	48 555 10/47E	R77	0,18	Mohm) par	48 557 10/180K
R20	470	ohm	48 556 10/470E	R78	0,15	Mohm)	48 557 10/150K
R21	220	ohm	48 556 10/220E	R79	10000	ohm	48 556 10/10K
R22	3300	ohm	48 556 05/3K3E	R80	0,47	Mohm	48 556 10/470K
R23	150	ohm	48 556 05/150E	R81	1	Mohm	48 556 10/1M
R24	47	ohm	48 555 10/47E	R82	300	ohm	48 516 10/300E
R25	2200	ohm	48 556 05/2K2E	R83	47	ohm	48 555 10/47E
R26	470	ohm	48 555 10/470E	R84	47	ohm	48 555 10/47E
R27	0,33	Mohm	48 556 05/330K	R85	6200	ohm	48 557 10/6K8
R28	1	Mohm	49 472 34.0	R86	47	ohm	48 555 10/47E
R29	150	ohm	48 556 05/150E	R87	22000	ohm	48 557 10/22K
R30	47	ohm	48 555 10/47E	R88	0,22	Mohm	48 556 10/220K
R31	470	ohm	48 555 10/470E	R89	0,15	Mohm	48 556 10/150K
R32	1	Mohm	48 556 10/1M	R90	0,1	Mohm	49 472 28.0
R33	10000	ohm	48 557 05/10K	R91	10000	ohm	48 556 10/10K
R34	150	ohm	48 556 05/150E	R92	56000	ohm	48 557 10/56K
R35	47	ohm	48 555 10/47E	R93	68000	ohm	48 557 10/68K
R36	2200	ohm	48 556 05/2K2E	R94	56000	ohm	48 557 10/56K
R37	470	ohm	48 555 10/470E	R95	68000	ohm	48 557 10/68K
R38	1	Mohm	48 556 10/1M	R96	10000	ohm	48 556 10/10K
R39	10000/2	ohm	48 557 05/10K	R97	100	ohm	48 557 10/100E
R40	150	ohm	48 556 05/150E	R98	100	ohm	48 557 10/100E
R41	47	ohm	48 555 10/47E	R99	100	ohm	48 557 10/100E
R42	0,1	Mohm	49 472 28.0	R100	100	ohm	48 557 10/100E
R43	47	ohm	48 555 10/47E	R101	50	ohm	48 133 29,1
R44	5800	ohm	48 556 10/6K8	R103	18000	ohm) par	48 557 05/18K
R45	100	ohm	48 556 10/100E		22000	ohm)	48 557 05/22K
R46	2200	ohm	48 556 05/2K2E				

R104	5,6	Mohm	48 557 10/5M6	C6	12,5+12,5 uF	48 317 11/12,5+12,5
R105	1800	ohm	48 496 10/1K8	C7	12,5+12,5 uF	48 317 11/12,5+12,5
R106	2,2	Mohm	48 557 10/2M2	C8	12,5+12,5 uF	48 317 11/12,5+12,5
R107	2,2	Mohm	48 557 10/2M2	C23	0,47 uF	48 790 10/470K
R108	820	ohm	48 556 05/820E	C24	0,22 uF	48 791 10/220K
R109	2700	ohm	48 556 05/2K7	C25	18 uF	48 112 10/C18M
R110	56000	ohm	48 557 10/56K	C26	330 pF	48 429 10/330E
R111	68000	ohm	48 557 10/68K	C27	0,1 uF	48 791 10/100K
R112	56000	ohm	48 557 10/56K	C28	400 nF	49 005 54.0
R113	68000	ohm	48 557 10/68K	C29	0,22 uF	48 791 10/220K
R114	56000	ohm	48 557 10/56K	C30	0,1 uF	48 791 10/100K
R115	68000	ohm	48 557 10/68K	C31	0,1 uF	48 791 10/100K
R116	56000	ohm	48 557 10/56K	C32	0,1 uF	48 791 10/100K
R117	68000	ohm	48 557 10/68K	C33	27 pF	48 429 05/27E
R118	1000	ohm	48 556 10/1K	C34	150 pF	48 429 10/150E
R119	4,7	Mohm	48 557 10/4M7	C35	270 pF	48 429 10/270E
R120	47	ohm	48 556 10/47E	C36	1000 pF	48 104 10/V1K
R121	47	ohm	48 556 10/47E	C37	3300 pF	48 104 10/V3K3
R122	1,5	Mohm	48 556 10/1M5	C38	10000 pF	48 104 10/E10K
R124	10	kohm	M7 632 15.0	C39	33000 pF	48 105 10/T33K
R125	1	Mohm	48 555 10/1M	C40	0,15 uF	48 105 10/C150K
R126	0,22	Mohm	48 552 02/220K	C41	0,33 uF	48 106 10/C330K
R127	220	ohm	48 556 10/220E	C42	0,1 uF	48 791 10/100K
R130	1	Mohm	48 557 10/1M	C43	0,1 uF	48 791 10/100K
R131	10	Mohm	48 557 10/10M	C46	22000 pF	48 791 10/22K
R132	10	Mohm	48 557 10/10M	C47	68 pF	48 429 10/68E
R133	10	Mohm	48 557 10/10M	C48	150 pF	48 429 10/150E
R134	1,2	Mohm	48 552 02/1M2	C49	270 pF	48 429 10/270E
R135	0,22	Mohm	48 556 10/220K	C50	1000 pF	48 104 10/V1K
R136	2200	ohm	48 556 10/2K2	C51	3300 pF	48 104 10/V3K3
R137	47000	ohm	48 557 05/47K	C52	10000 pF	48 104 10/E10K
R138	33000	ohm	48 556 10/33K	C53	33000 pF	48 105 10/T33K
R139	8200	ohm	2x48 557 05/8K2	C54	0,15 uF	48 105 10/C150K
R140	8200	ohm	2x48 557 05/8K2	C55	0,33 uF	48 106 10/C330K
R141	10000	ohm	48 556 10/10K	C56	270 pF	48 213 05/270E
R142	10000	ohm	48 556 10/10K	C57	12,5 pF	XU 052 16.0
R143	0,22	Mohm	48 556 10/220K	C58	27 pF	48 429 10/27E
R144	0,68	Mohm	48 556 05/680K	C59	0,47 uF	48 791 10/470K
R145	68000	ohm	48 556 10/68K	C60	0,22 uF	48 791 10/220K
R146	6800	Mohm	48 556 10/6K8	C61	draadtrimmer wire trimmer condensateur de réglage à fil trimmer de alambre Drahtabgleich- kondensator	49 005 53.2
R147	10	Mohm	48 557 10/10M	C62	0,47 uF	48 791 10/470K
R148	0,1	Mohm	48 556 10/100K	C63	1200 pF	48 791 10/1K2
R149	15000	ohm	48 556 10/15K	C64	50+50 uF	48 317 59/50+50
R150	470	ohm	48 556 10/470E	C65	50+50 uF	48 317 59/50+50
R151	470	ohm	48 556 10/470E	C66	0,22 uF	48 791 10/220K
R152	10	Mohm	48 557 10/10M	C67	25+25 uF	48 317 11/25+25
R153	2,2	Mohm	48 556 10/2M2			
C1	0,1	uF	48 792 10/100K			
C2	12,5+12,5	uF	48 317 09/12,5+12,5			
C3	360	pF	48 429 05/360E			
C4	25+25	uF	48 317 08/25+25			
C5	12,5+12,5	uF	48 317 11/12,5+12,5			

C68	25+2/	uF	48 317 11/25+25	C35	4	PF	XU 052 19.0
C69	0,22	uF	48 792 10/220K	C86	3-30	PF	28 212 36.4
				C87	270	PF	48 213 05/270E
C71	47000	PF	48 105 10/V47K	C89	47	PF	48 213 05/47E
C72	47000	PF	48 105 10/V47K	C90	18	PF	48 211 05/18E
C73	0,47	uF	48 791 10/470K	C91	4,7	PF	48 210 20/4E7
C74	12,5+12,5	uF	48 317 11/12,5 +12,5	C92	0,15	uF	48 791 10/150K
C75	12,5+12,5	uF	48 317 11/12,5 +12,5	C94	zie C64		
C76	12,5+12,5	uF	48 317 11/12,5 +12,5	C95	22	PF	48 211 10/22E
C77	12,5+12,5	uF	48 317 11/12,5 +12,5	C96	220	PF	48 213 10/220E
				B1			EF42
				B2			EF42
				B3			EL41
C78	15000	PF	48 791 10/15K	B4			EL41
C79	15000	PF	48 791 10/15K	B5			EF42
C80	10000	PF	48 797 20/10K	B6			UF42
C81	10000	PF	48 797 20/10K	B7			EF42
C82	0,22	uF	48 791 10/220K	B8			EF42
C83	10000	PF	48 791 10/10K	B9			DG10-6
C84	10000	PF	48 791 10/10K	B10			EF42
				B11			PL81
				B12			AZ41
				B13			AZ41
				B14			AZ41
				B15			AZ41
				B16			EF42

GM5653-02F

B.1	L.2					L.3					L.4					L.5					L.6														
C	1.	2.	33,36, 75, 63	3.	25	4, 48, 24, 80, 90, 86	26, 62, 27, 82, 60, 95	32, 81	28, 87	29	84	30, 91	31	48	41, 40, 39, 38, 63, 37, 62, 43	44, 51, 52, 49, 50, 52, 54, 55	56, 46	58, 57	58, 59	62, 62	61	28, 78, 84	68	8	138, 17, 18, 12, 6	10, 8	146, 14, 13	102, 7, 6, 9, 2	20, 10	22, 15, 2, 10, 3, 24, 21	127, 133, 27, 28, 26, 23, 5, 8, 25, 30, 66	148, 149, 51	41, 139, 140, 74, 32, 62, 30, 35	36, 36	73, 85, 87
R	43, 108, 43, 44	45, 108, 46, 109	11, 12, 13, 48, 57, 54, 142	49, 56, 50, 54, 47	51, 55, 53	125	8, 124, 153, 119	118, 32	58, 53, 40, 80, 39, 137, 37	63, 64	107, 106	89	84, 90, 86, 57, 80	14, 15, 16, 17, 18, 19, 20, 21, 22, 23, 24, 25, 26, 27, 28, 29, 30, 31, 32, 33, 34, 35, 36, 37, 38, 39, 40, 41, 42, 43, 44, 45, 46, 47, 48, 49, 50, 51, 52, 53, 54, 55, 56, 57, 58, 59, 60, 61, 62, 63, 64, 65, 66, 67, 68, 69, 70, 71, 72, 73, 74, 75, 76, 77, 78, 79, 80, 81, 82, 83, 84, 85, 86, 87, 88, 89, 90, 91, 92, 93, 94, 95, 96, 97, 98, 99, 100, 101, 102, 103, 104, 105, 106, 107, 108, 109, 110, 111, 112, 113, 114, 115, 116, 117, 118, 119, 120, 121, 122, 123, 124, 125, 126, 127, 128, 129, 130, 131, 132, 133, 134, 135, 136, 137, 138, 139, 140, 141, 142, 143, 144, 145, 146, 147, 148, 149, 150, 151, 152, 153, 154, 155, 156, 157, 158, 159, 160, 161, 162, 163, 164, 165, 166, 167, 168, 169, 170, 171, 172, 173, 174, 175, 176, 177, 178, 179, 180, 181, 182, 183, 184, 185, 186, 187, 188, 189, 190, 191, 192, 193, 194, 195, 196, 197, 198, 199, 200, 201, 202, 203, 204, 205, 206, 207, 208, 209, 210, 211, 212, 213, 214, 215, 216, 217, 218, 219, 220, 221, 222, 223, 224, 225, 226, 227, 228, 229, 230, 231, 232, 233, 234, 235, 236, 237, 238, 239, 240, 241, 242, 243, 244, 245, 246, 247, 248, 249, 250, 251, 252, 253, 254, 255, 256, 257, 258, 259, 260, 261, 262, 263, 264, 265, 266, 267, 268, 269, 270, 271, 272, 273, 274, 275, 276, 277, 278, 279, 280, 281, 282, 283, 284, 285, 286, 287, 288, 289, 290, 291, 292, 293, 294, 295, 296, 297, 298, 299, 300, 301, 302, 303, 304, 305, 306, 307, 308, 309, 310, 311, 312, 313, 314, 315, 316, 317, 318, 319, 320, 321, 322, 323, 324, 325, 326, 327, 328, 329, 330, 331, 332, 333, 334, 335, 336, 337, 338, 339, 340, 341, 342, 343, 344, 345, 346, 347, 348, 349, 350, 351, 352, 353, 354, 355, 356, 357, 358, 359, 360, 361, 362, 363, 364, 365, 366, 367, 368, 369, 370, 371, 372, 373, 374, 375, 376, 377, 378, 379, 380, 381, 382, 383, 384, 385, 386, 387, 388, 389, 390, 391, 392, 393, 394, 395, 396, 397, 398, 399, 400, 401, 402, 403, 404, 405, 406, 407, 408, 409, 410, 411, 412, 413, 414, 415, 416, 417, 418, 419, 420, 421, 422, 423, 424, 425, 426, 427, 428, 429, 430, 431, 432, 433, 434, 435, 436, 437, 438, 439, 440, 441, 442, 443, 444, 445, 446, 447, 448, 449, 450, 451, 452, 453, 454, 455, 456, 457, 458, 459, 460, 461, 462, 463, 464, 465, 466, 467, 468, 469, 470, 471, 472, 473, 474, 475, 476, 477, 478, 479, 480, 481, 482, 483, 484, 485, 486, 487, 488, 489, 490, 491, 492, 493, 494, 495, 496, 497, 498, 499, 500, 501, 502, 503, 504, 505, 506, 507, 508, 509, 510, 511, 512, 513, 514, 515, 516, 517, 518, 519, 520, 521, 522, 523, 524, 525, 526, 527, 528, 529, 530, 531, 532, 533, 534, 535, 536, 537, 538, 539, 540, 541, 542, 543, 544, 545, 546, 547, 548, 549, 550, 551, 552, 553, 554, 555, 556, 557, 558, 559, 560, 561, 562, 563, 564, 565, 566, 567, 568, 569, 570, 571, 572, 573, 574, 575, 576, 577, 578, 579, 580, 581, 582, 583, 584, 585, 586, 587, 588, 589, 590, 591, 592, 593, 594, 595, 596, 597, 598, 599, 600, 601, 602, 603, 604, 605, 606, 607, 608, 609, 610, 611, 612, 613, 614, 615, 616, 617, 618, 619, 620, 621, 622, 623, 624, 625, 626, 627, 628, 629, 630, 631, 632, 633, 634, 635, 636, 637, 638, 639, 640, 641, 642, 643, 644, 645, 646, 647, 648, 649, 650, 651, 652, 653, 654, 655, 656, 657, 658, 659, 660, 661, 662, 663, 664, 665, 666, 667, 668, 669, 670, 671, 672, 673, 674, 675, 676, 677, 678, 679, 680, 681, 682, 683, 684, 685, 686, 687, 688, 689, 690, 691, 692, 693, 694, 695, 696, 697, 698, 699, 700, 701, 702, 703, 704, 705, 706, 707, 708, 709, 710, 711, 712, 713, 714, 715, 716, 717, 718, 719, 720, 721, 722, 723, 724, 725, 726, 727, 728, 729, 730, 731, 732, 733, 734, 735, 736, 737, 738, 739, 740, 741, 742, 743, 744, 745, 746, 747, 748, 749, 750, 751, 752, 753, 754, 755, 756, 757, 758, 759, 760, 761, 762, 763, 764, 765, 766, 767, 768, 769, 770, 771, 772, 773, 774, 775, 776, 777, 778, 779, 780, 781, 782, 783, 784, 785, 786, 787, 788, 789, 790, 791, 792, 793, 794, 795, 796, 797, 798, 799, 800, 801, 802, 803, 804, 805, 806, 807, 808, 809, 810, 811, 812, 813, 814, 815, 816, 817, 818, 819, 820, 821, 822, 823, 824, 825, 826, 827, 828, 829, 830, 831, 832, 833, 834, 835, 836, 837, 838, 839, 840, 841, 842, 843, 844, 845, 846, 847, 848, 849, 850, 851, 852, 853, 854, 855, 856, 857, 858, 859, 860, 861, 862, 863, 864, 865, 866, 867, 868, 869, 870, 871, 872, 873, 874, 875, 876, 877, 878, 879, 880, 881, 882, 883, 884, 885, 886, 887, 888, 889, 890, 891, 892, 893, 894, 895, 896, 897, 898, 899, 900, 901, 902, 903, 904, 905, 906, 907, 908, 909, 910, 911, 912, 913, 914, 915, 916, 917, 918, 919, 920, 921, 922, 923, 924, 925, 926, 927, 928, 929, 930, 931, 932, 933, 934, 935, 936, 937, 938, 939, 940, 941, 942, 943, 944, 945, 946, 947, 948, 949, 950, 951, 952, 953, 954, 955, 956, 957, 958, 959, 960, 961, 962, 963, 964, 965, 966, 967, 968, 969, 970, 971, 972, 973, 974, 975, 976, 977, 978, 979, 980, 981, 982, 983, 984, 985, 986, 987, 988, 989, 990, 991, 992, 993, 994, 995, 996, 997, 998, 999, 1000																					

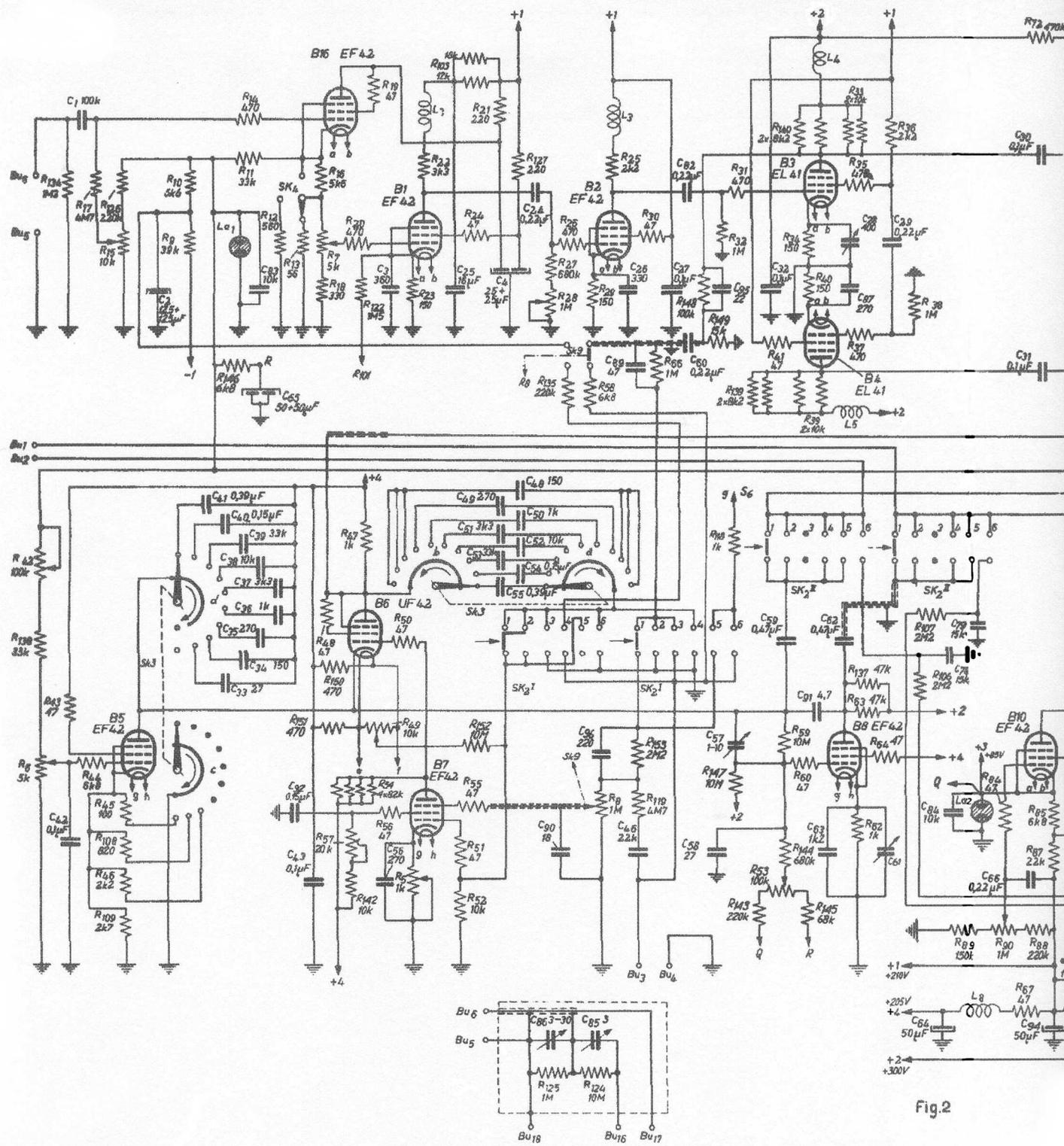


Fig.2

L4		L5		L8		L1		S1-S11		L6 L7	
12	91	28	87	29	84	30	31	78	72	23	6, 8
7	58	59	63	62	61	28	28	84	66	94	70
41	139	140	34	33	63	35	36	34	73	85	87
23	59	53	40	60	30	137	37	63	64	107	106
81	84	84	90	88	87	80	105	81	82	92	93
92	93	94	95	91	96	98	110	111	112	113	98
132	133	74	120	121	75	4	76	77	78	76	78
80	81	80	78	131	82	81	82	81	82	81	82

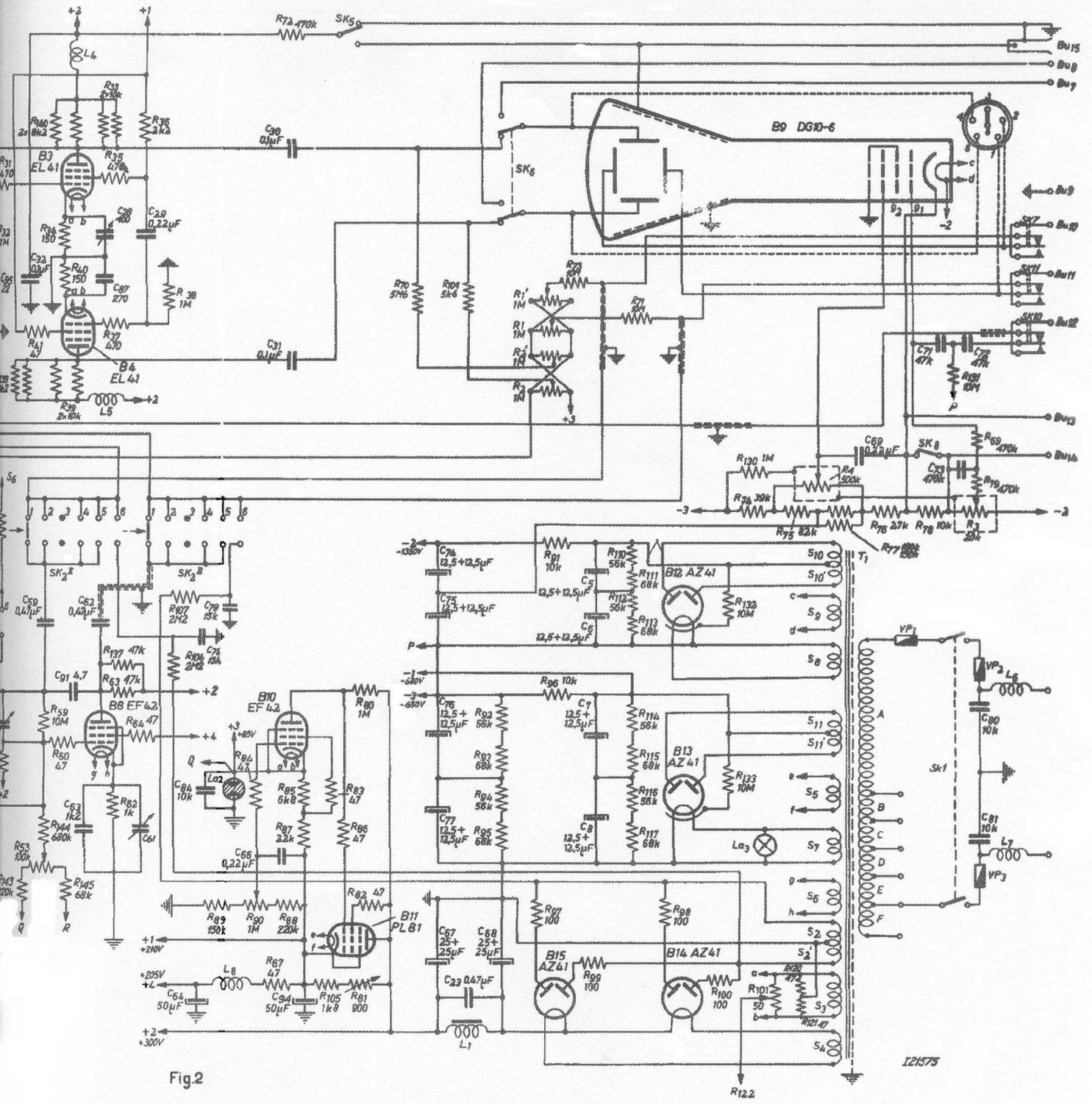


Fig 2

121575

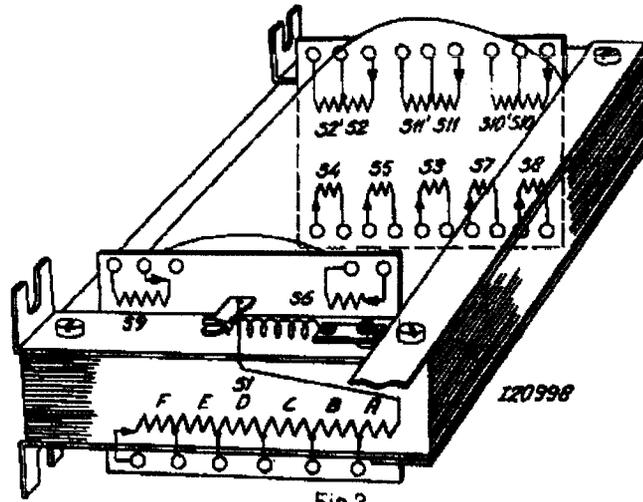


Fig.3

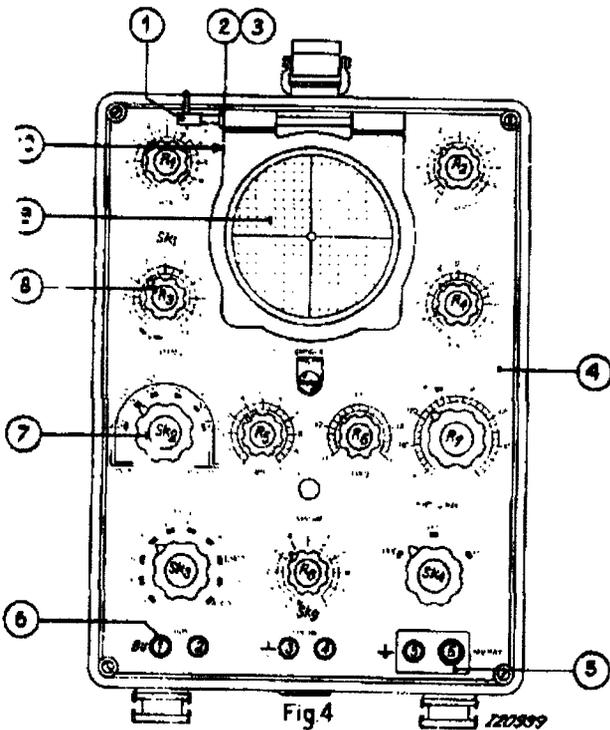


Fig.4

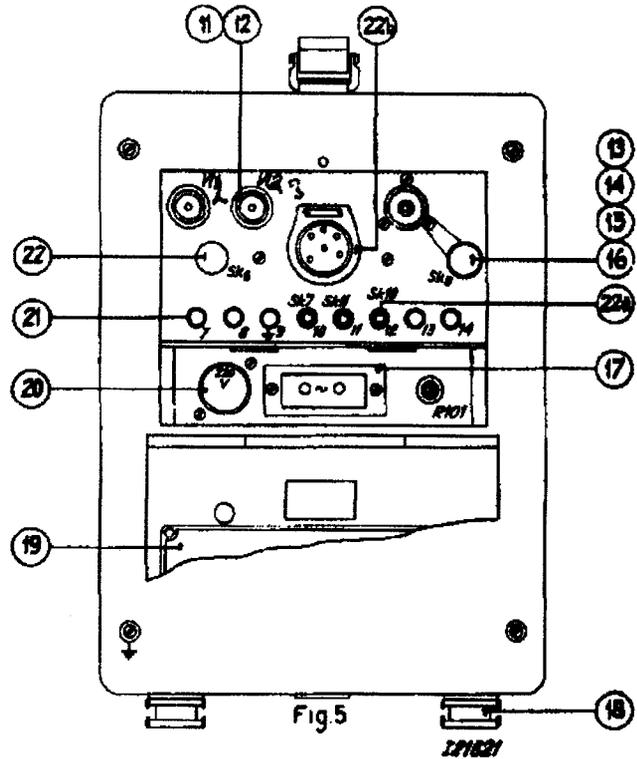
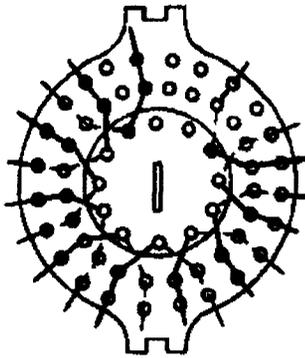
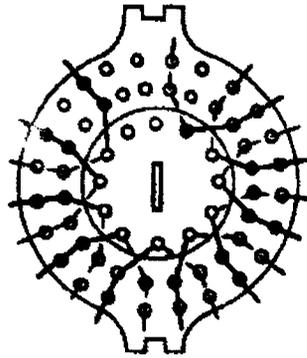


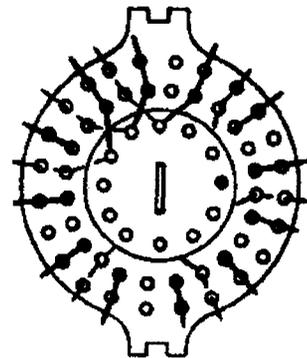
Fig.5



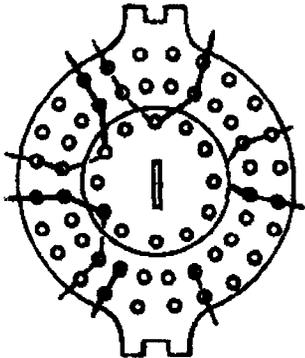
sk3a



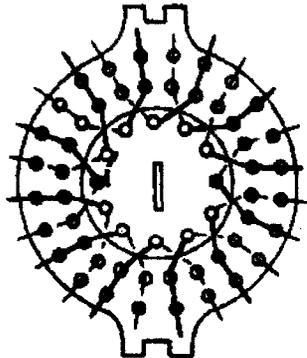
sk3b-sk3d



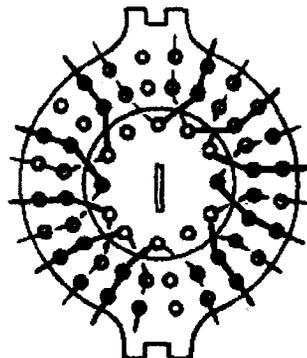
sk3c



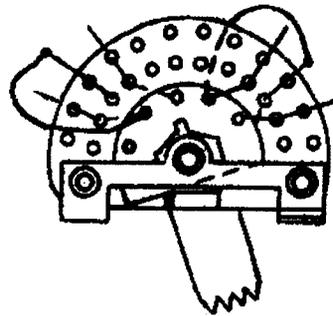
sk4



sk2a



sk2b



sk6
121478

Fig.6

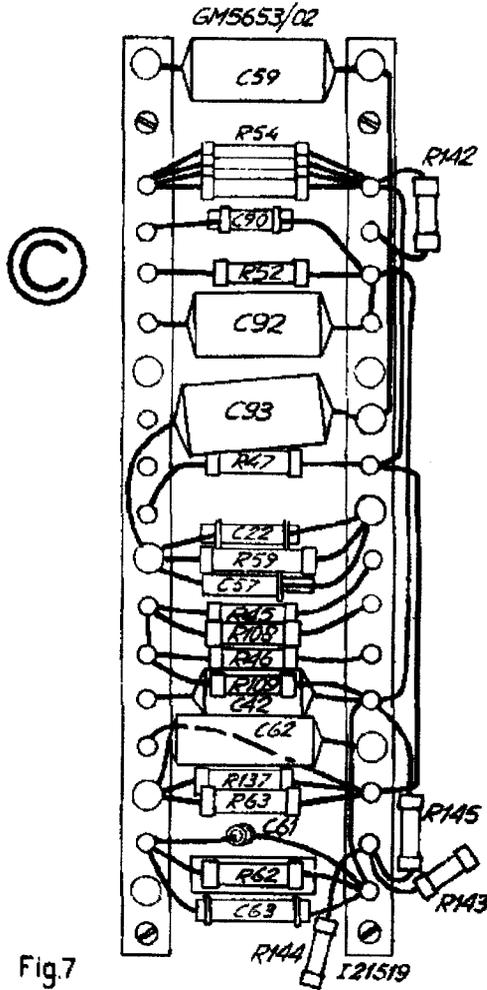


Fig.7

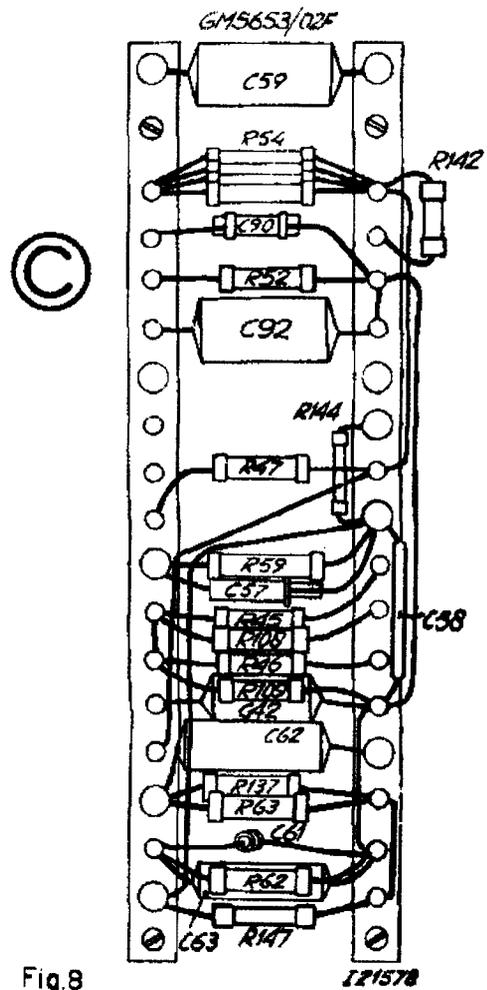


Fig.8

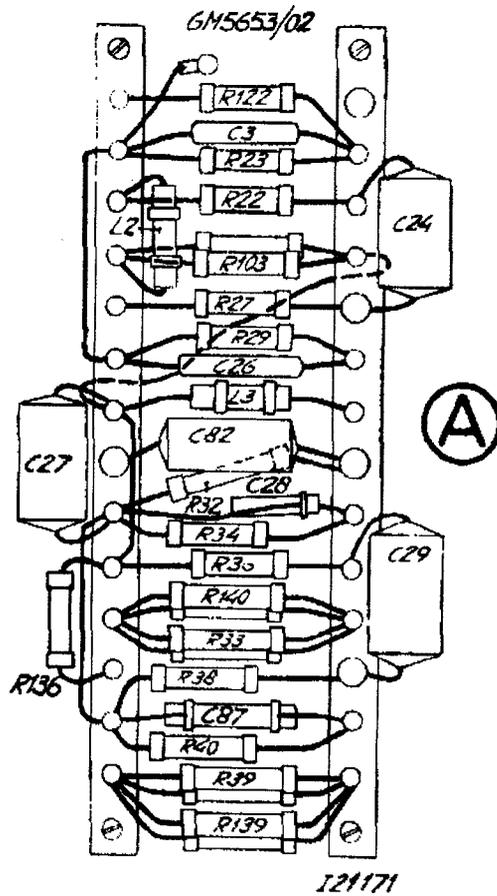


Fig.9

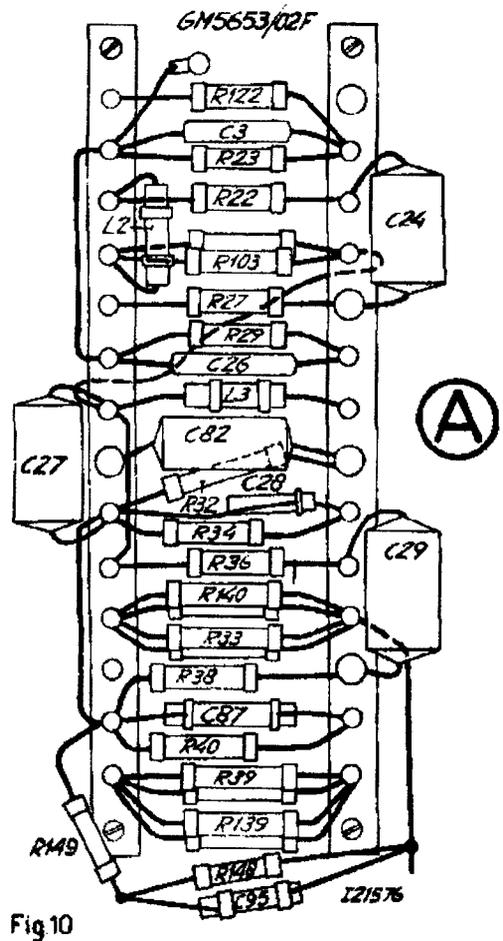
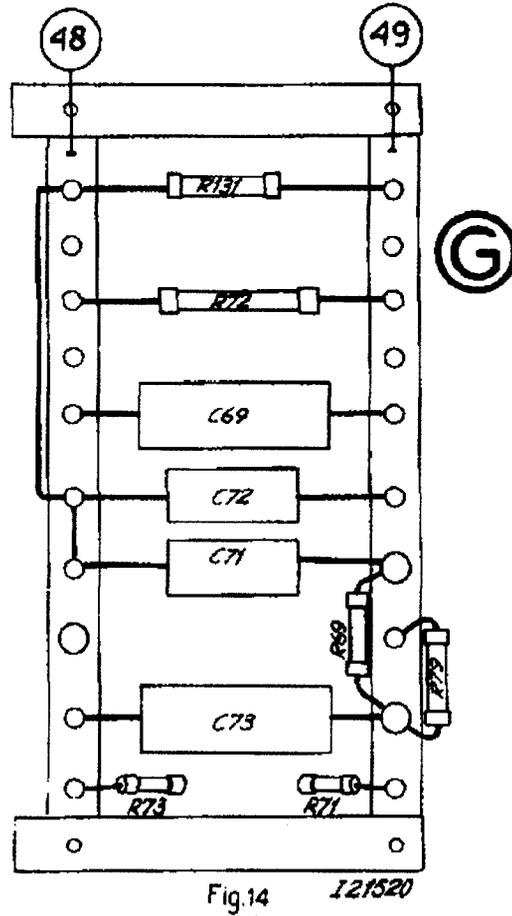
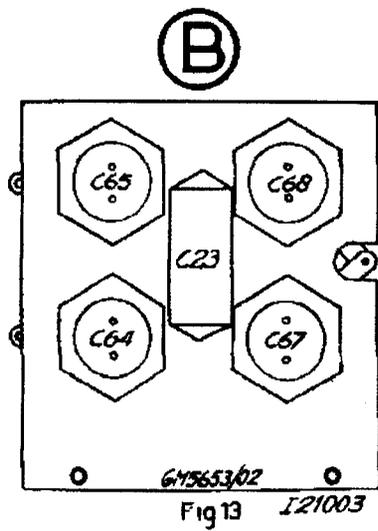
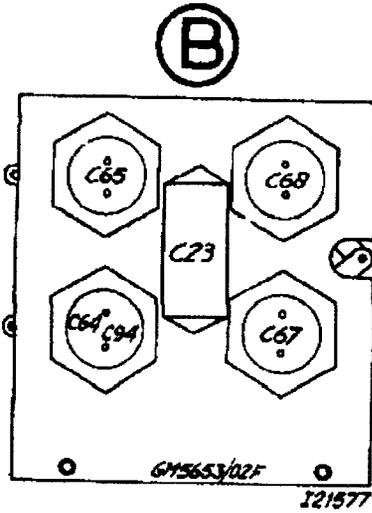
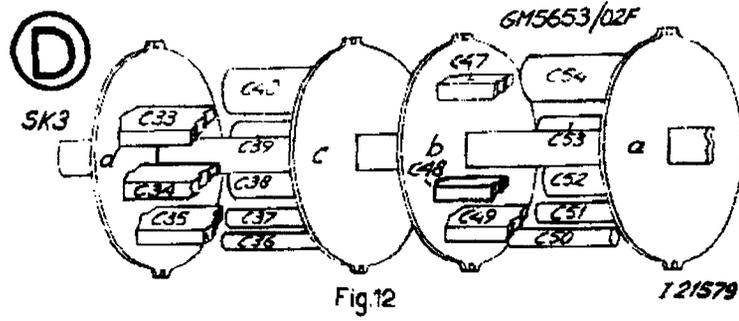
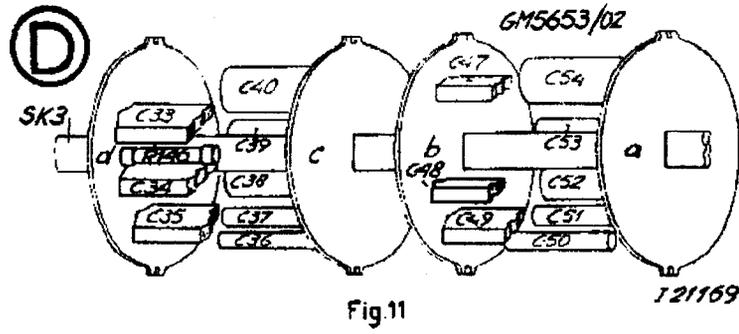


Fig.10

GM5653-02/02F



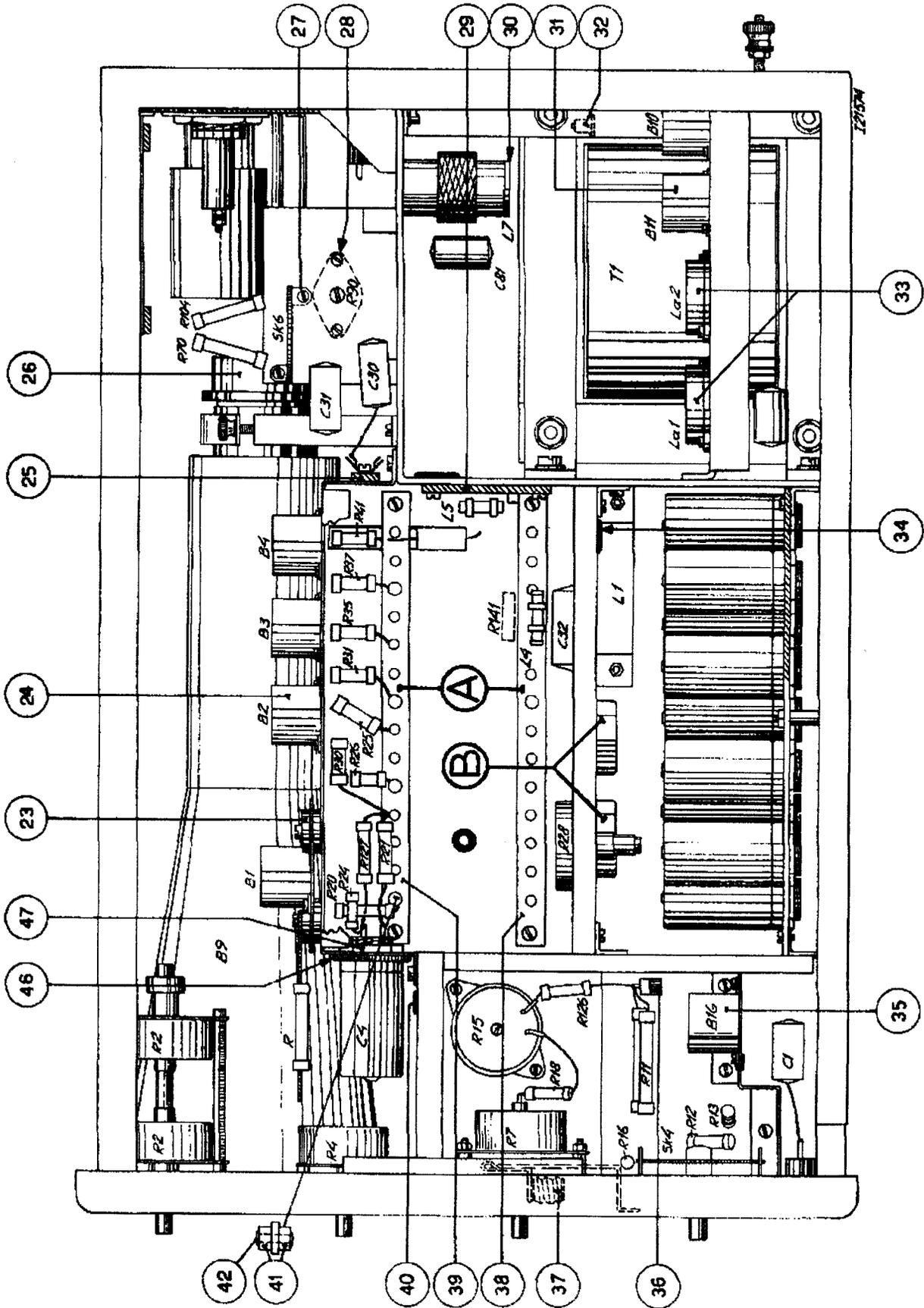


Fig.16

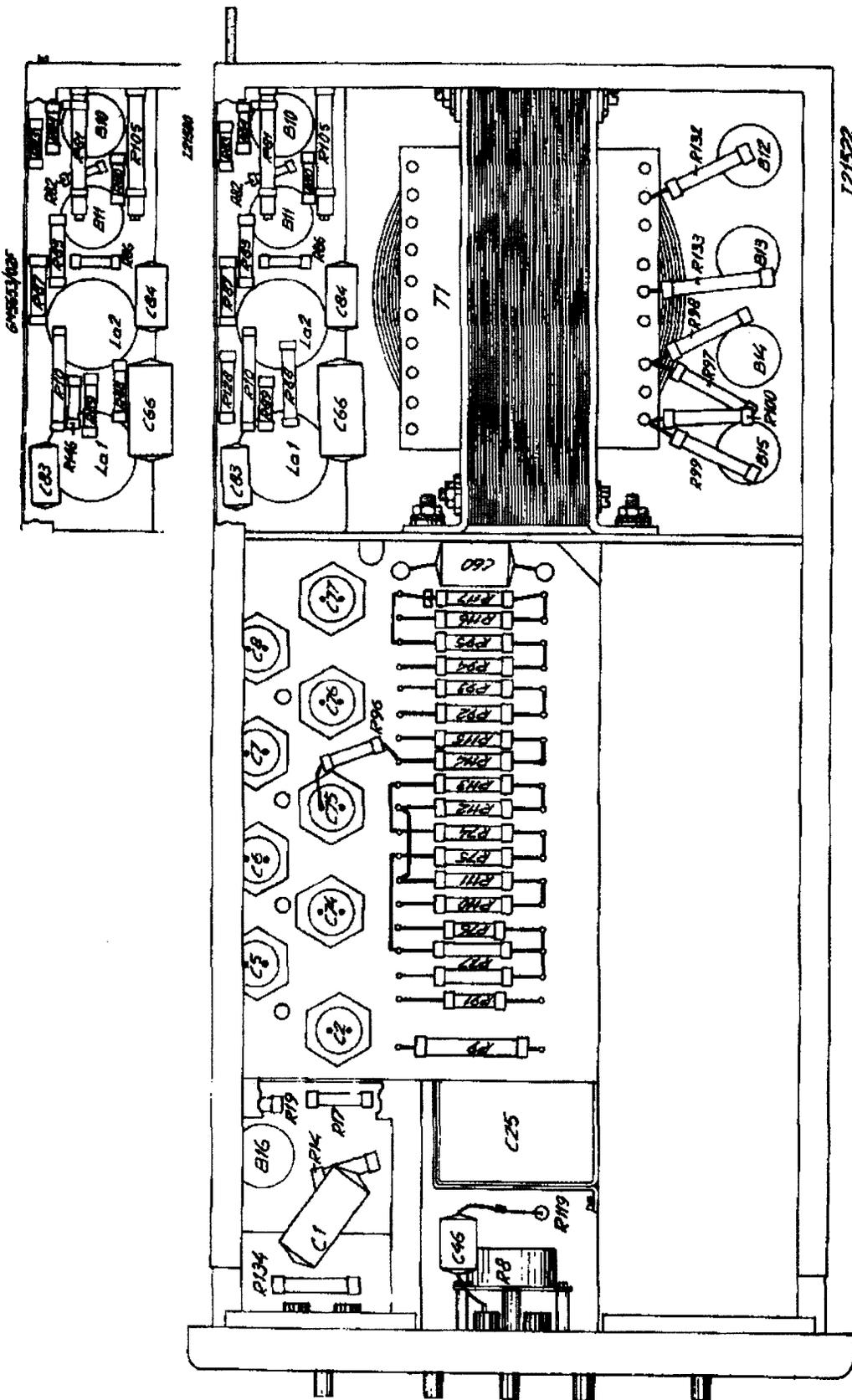


Fig.17

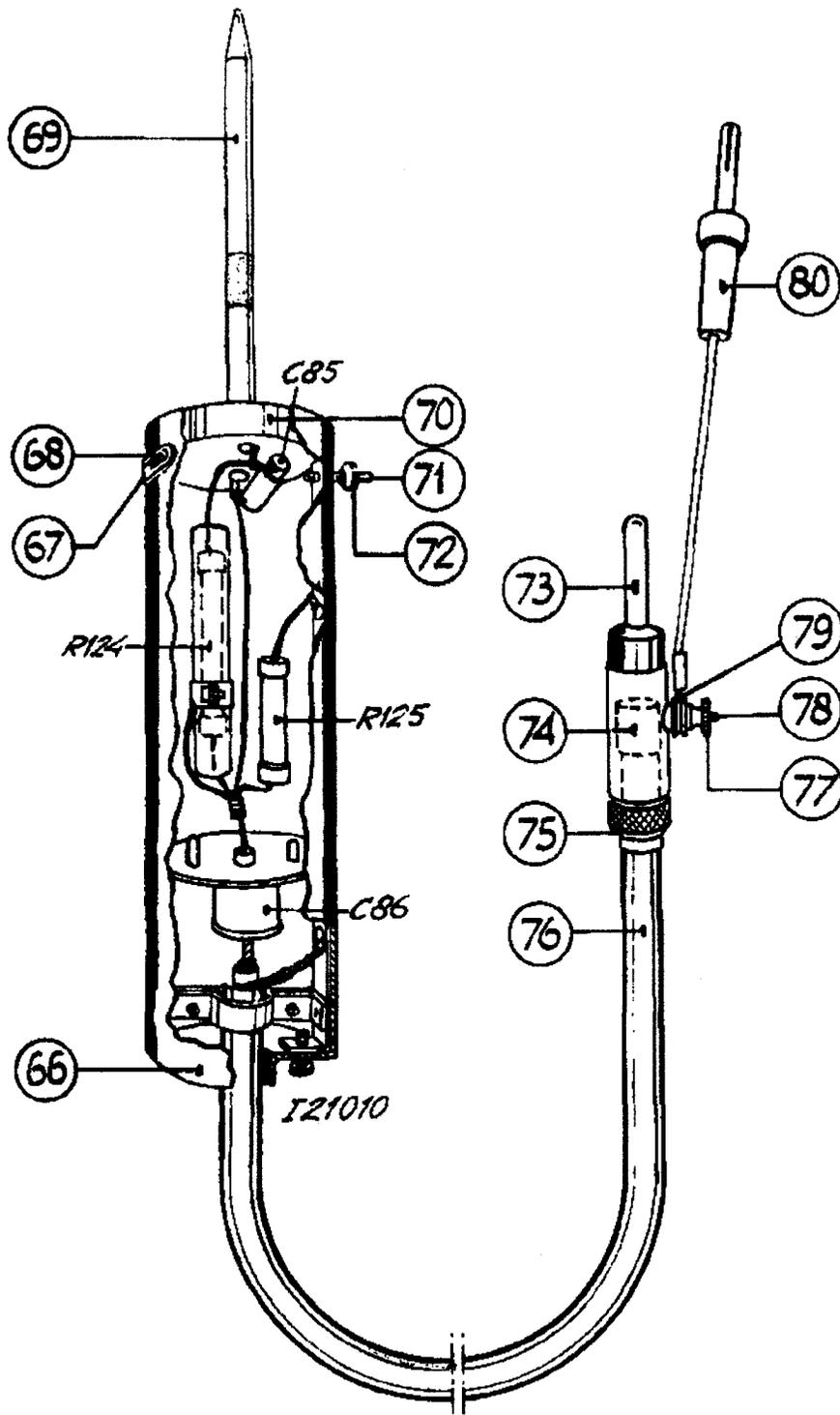


Fig 18

N.V. PHILIPS' GLOEILAMPENFABRIEKEN EINDHOVEN	Re: GM 5653/01 and 02	M 122
SERVICE		31.7.52

In position 4 of SK2 (single stroke time-base) the beginning of the time-base is non-linear, and the first part of a pulse will be somewhat distorted.

The circuit of the phase-inverter B8 should therefore be modified. In fig.1 the present situation is drawn, whilst in fig.2 the new circuit is shown. The anode of B8 is now fed by the non-stabilized voltage via R137/R63 and the controlgrid of B8 is connected to a variable voltage via R53 (-85V to + 85V). This voltage is taken from the ends of R1.

ALIGNEMENT

1. Time-base switch SK3 at 1500 and R6 at 1x. R8 in position "trigg" (fully anti-clockwise), SK2 in position 4. Wait until the spot appears on the screen and no longer moves. R3 fully anti-clockwise. Turn R53 slowly to the right. The spot moves along the screen now; until the valve is cut off. The valve should be biased at a point near cut-off. This is done as follows:

Connect a voltmeter between the cathode of B8 and earth and adjust with R53 to approx. + 1,4 V.

Another method is to adjust R53 in such a way that the spot moves a little more and then stops. The adjustment is as follows:

Turn R53 to the right until the spot no longer moves, then turn R53 a few degrees in the reverse direction. Both methods give a correct biasing of the valve.

2. SK3 at 1500 and R6 at 1x, R8 in position 10 (fully clockwise), SK2 in position intern . Adjust with R5 so that both the beginning and intern the end of the time-base line appears on the screen. Produce ten peaks on the screen by means of a GM 2315 and align with C57 for linearity.
3. SK3 at 10000 and R6 at 5x, produce again ten peaks on the screen by means of a GM 2883 and align for linearity with C61.
4. All positions of SK3 and with R6 fully anti-clockwise and fully clockwise should be checked for linearity. The amplitude of the time-base should be at least 86 mm for frequencies from 5-25000 o/s and for higher frequencies at least 60 mm (R5 and R6 fully clockwise).

CENTRAL SERVICE DEPARTMENT

Be/LB

Ph. Salverda

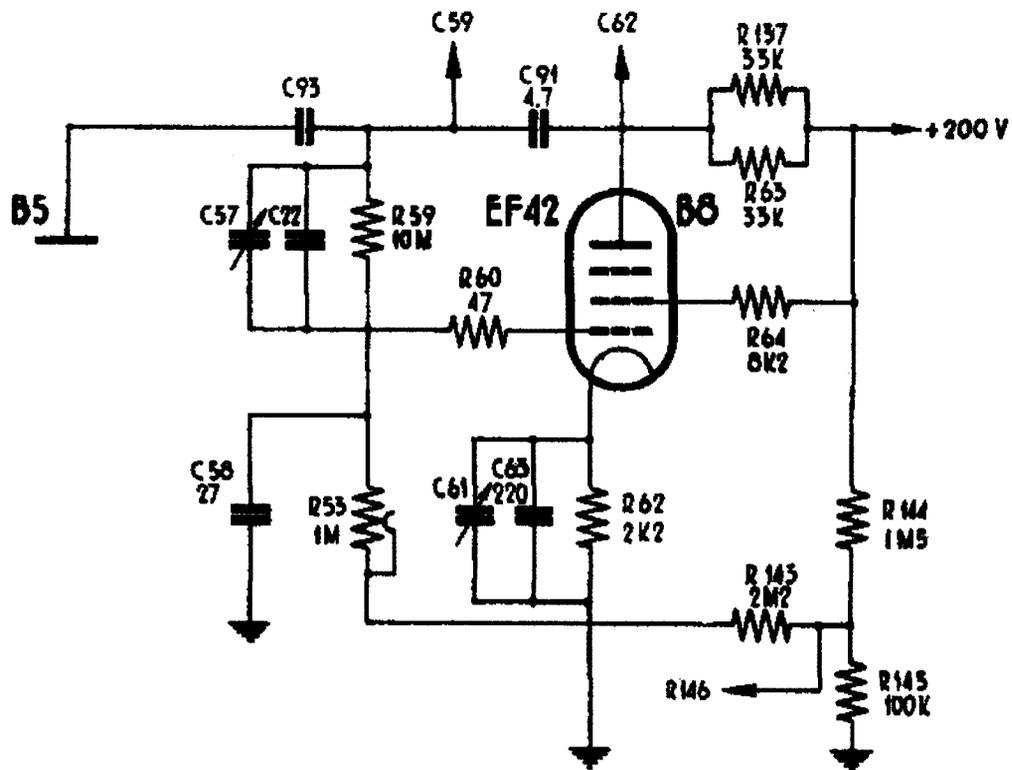


Fig.1

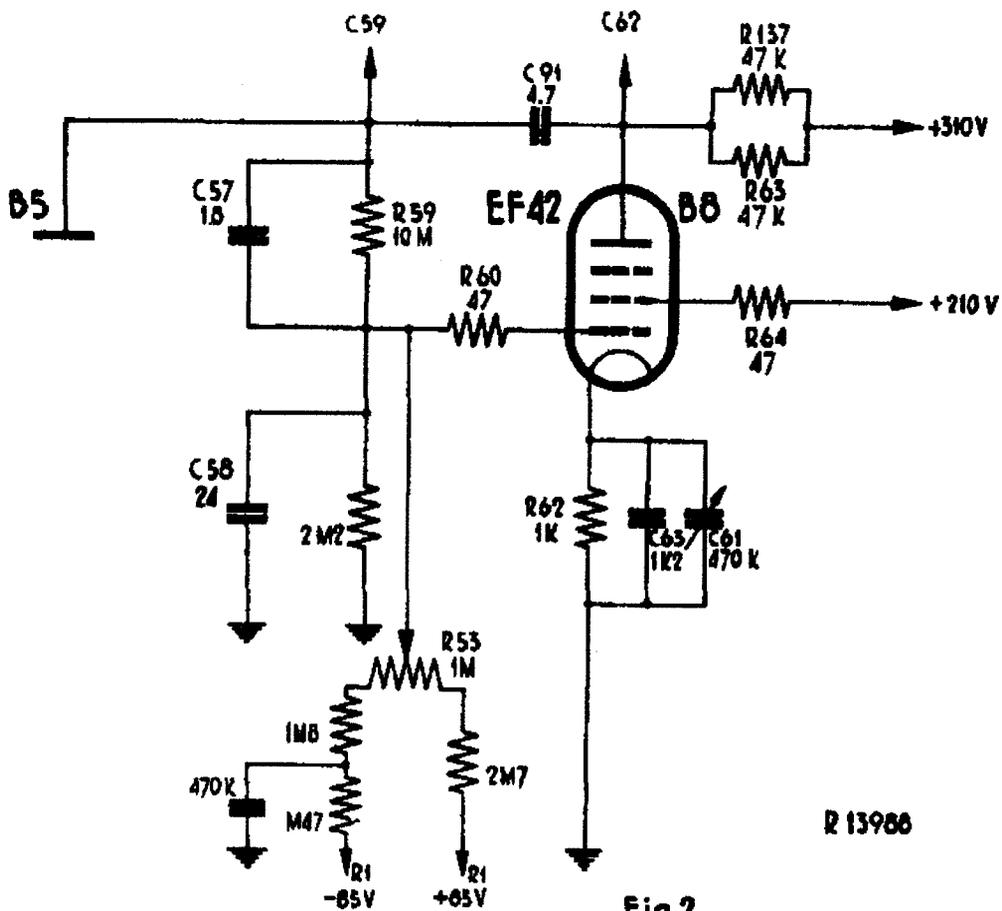


Fig.2

N.V. PHILIPS' GLOEILAMPENFABRIEKEN EINDHOVEN	GM 5653-02	M 134
SERVICE		1.9.1952

In de anode-circuits van B12 en B13 zijn stopweerstanden R154, R155, R156 en R157 aangebracht.

Reden: Bescherming van de transformator bij het eventueel defectraken van een electrolytische condensator.

R154 470 Ohm codenummer 48 555 10/470E
R155 470 Ohm codenummer 48 555 10/470E
R156 470 Ohm codenummer 48 555 10/470E
R157 470 Ohm codenummer 48 555 10/470E

In the anode-circuits of B12 and B13 anodestoppers R154, R155, R156 and R157 have been added.

Reason: Protection of the transformer when there is a short-circuit in an electrolytic condenser.

R154 470 Ohm codenummer 48 555 10/470E
R155 470 Ohm codenummer 48 555 10/470E
R156 470 Ohm codenummer 48 555 10/470E
R157 470 Ohm codenummer 48 555 10/470E

Dans les circuits anodiques de B12 et B13 les résistances R154, R155, R156 et R157 ont été appliquées.

Raison: Protection du transformateur quand il y a un court-circuit dans un condensateur électrolytique.

R154 470 Ohm numéro de code 48 555 10/470E
R155 470 Ohm numéro de code 48 555 10/470E
R156 470 Ohm numéro de code 48 555 10/470E
R157 470 Ohm numéro de code 48 555 10/470E

Vor den Anoden von B12 und B13 sind die Widerstände R154, R155, R156 und R157 geschaltet worden.

Grund: Schutz des Transformators bei defektem Elektrolyt-Kondensator.

R154 470 Ohm Kodenummer 48 555 10/470E
R155 470 Ohm Kodenummer 48 555 10/470E
R156 470 Ohm Kodenummer 48 555 10/470E
R157 470 Ohm Kodenummer 48 555 10/470E

Se han conectado las resistencias R154, R155, R156 y R157 en los circuitos anódicos de B12 y B13.

Razón: Protección del transformador en caso de un condensador defectuoso.

R154 470 Ohm Numéro de code 48 555 10/470E
R155 470 Ohm Numéro de code 48 555 10/470E
R156 470 Ohm Numéro de code 48 555 10/470E
R157 470 Ohm Numéro de code 48 555 10/470E

Central Service Department

Ph. Salverda

1.9.1952
Be/WvL

N.V. PHILIPS' GLOELAMPENFABRIEKEN EINDHOVEN	Betr.: 5653/02	M143
SERVICE		11-11-52

R27 en C95 moeten gewijzigd worden ter verbetering van de sprongkarakteristiek van de versterker voor verticale afbuiging.

R27 0,68 MΩ 48 556 05/680K wordt R27 1 MΩ 48 556 05/1M
C95 22 pF 48 221 10/22E wordt C95 12 pF 48 211 10/12E

R27 and C95 must be altered in order to improve the transient response of the amplifier for vertical deflection.

R27 0,68 MΩ 48 556 05/680K becomes R27 1 MΩ 48 556 05/1M
C95 22 pF 48 211 10/22E becomes C95 12 pF 48 211 10/12E

R27 et C95 doit être modifier pour correction de la caractéristique de saut d'amplificateur pour la déflexion verticale.

Remplace

R27 0,68 MΩ 48 556 05/680K par R27 1 MΩ 48 556 05/1M
C95 22 pF 48 211 10/22E par C95 12 pF 48 211 10/12E

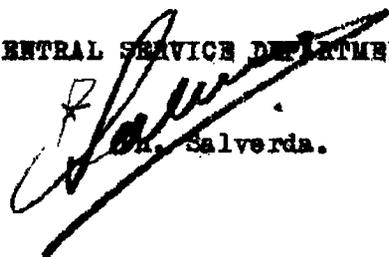
R27 und C95 müssen geändert werden zur Verbesserung der Sprungkarakteristik des Verstärkers für die vertikale Ablenkung.

R27 0,68 MΩ 48 556 05/680K wird R27 1 MΩ 48 556 05/1M
C95 22 pF 48 221 10/22E wird C95 12 pF 48 211 10/12E

Para mejorar la característica de salta del amplificador vertical daban modificarse R27 y C95.

R27 0,68 MΩ 48 556 05/680K se hace R27 1 MΩ 48 556 05/1M
C95 22 pF 48 211 10/22E se hace C95 12 pF 48 211 10/12E

CENTRAL SERVICE DEPARTMENT



Be/TV

N.V. PHILIPS'
GLOEIAMPENFABRIEKEN
EINDHOVEN

Betr.: GM5653-01-02
Conc.:

M149

SERVICE

15-1-53

De principeschema's van de GM5653-01 en GM5653-02 in de respectieve Service Documentaties GM5653-00-01 en GM5653-02 moeten worden verbeterd als volgt; (zie fig.)

1. R8 en R119 moeten met elkaar verbonden worden.
2. R143 moet worden toegevoegd tussen punt C58-R53 en punt R144-R145.
De aarding van R53 vervalt.

In de tekst van de documentatie van de GM5653-02 moet het volgende toegevoegd worden;

1. Onder; A Contrôle en instelling
e) Voedingsspanning. De spanning over C65 (C94 in O2F) moet met R90 op 230V ingesteld worden.
2. Onder; B Verschillen van type O2F met type 00
In de stand "Trigg" van SK9 wordt nu de negatieve helft van hetingangssignaal op het scherm afgebeeld, omdat hier de synchronisatiespanning van de anode van B3 wordt afgenomen.

The circuit diagrams of the GM5653-01 and GM5653-02 in the respective Service Notes GM5653-00-01 and GM5653-02 must be corrected as follows; (See fig.)

1. R8 and R119 must be connected to each other.
2. R143 must be added between C58-R53 and R144-R145.
The earth connection of R53 must be omitted.

In the Service Notes of the GM5653-02 the following must be added in the text;

1. Under; A Alignment and checking
e) Power supply. The voltage across C65 (C94 in O2F) must be adjusted to 230V with R90.
2. Under; B Differences between type O2F and type 00
If SK9 is in position "Trigg" the negative half of a signal is reproduced on the screen, because here the synchronisation voltage is taken from the anode of B3.

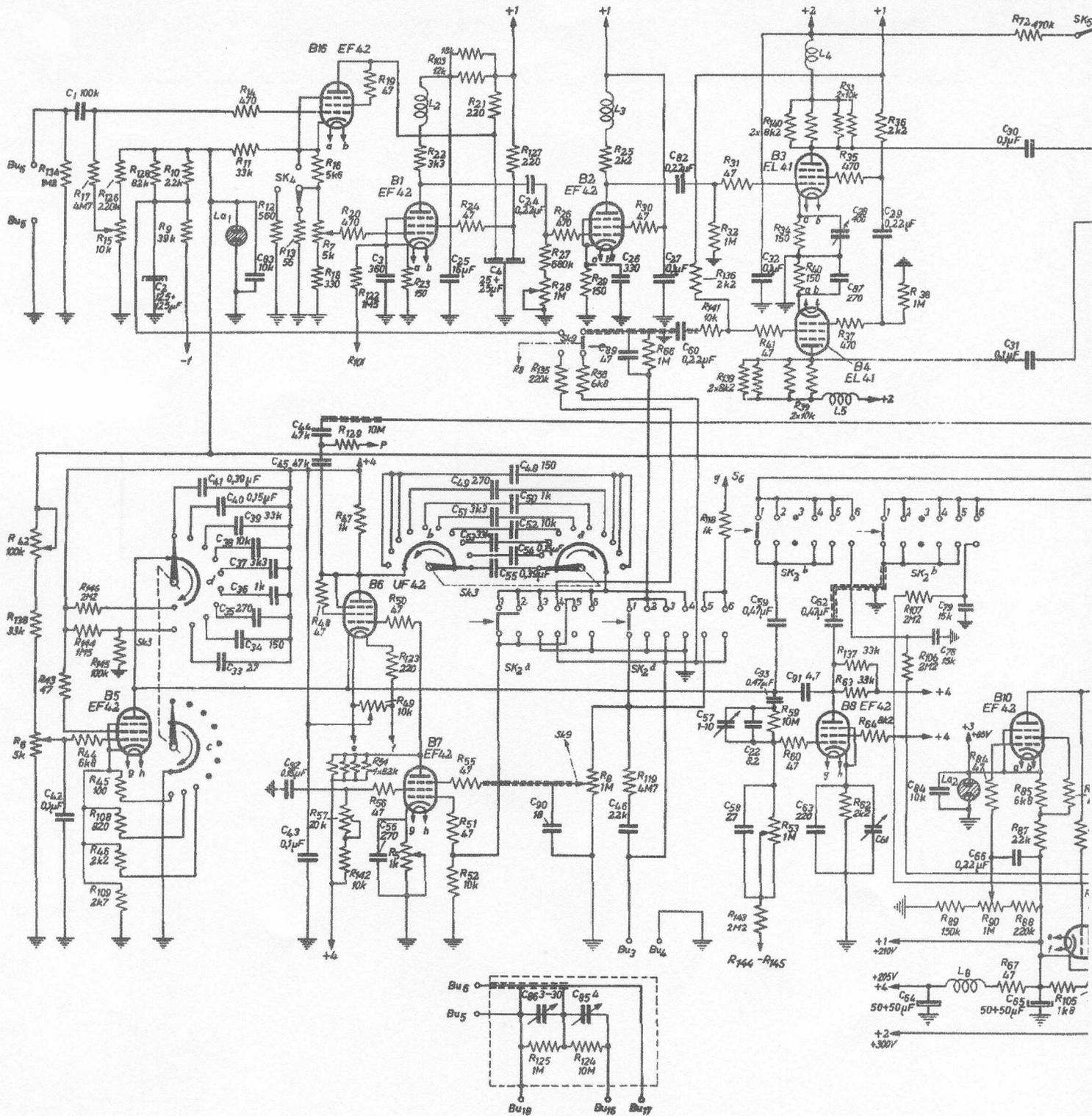
CENTRALE SERVICE AFDELING

Be/TV


J. Salverda.

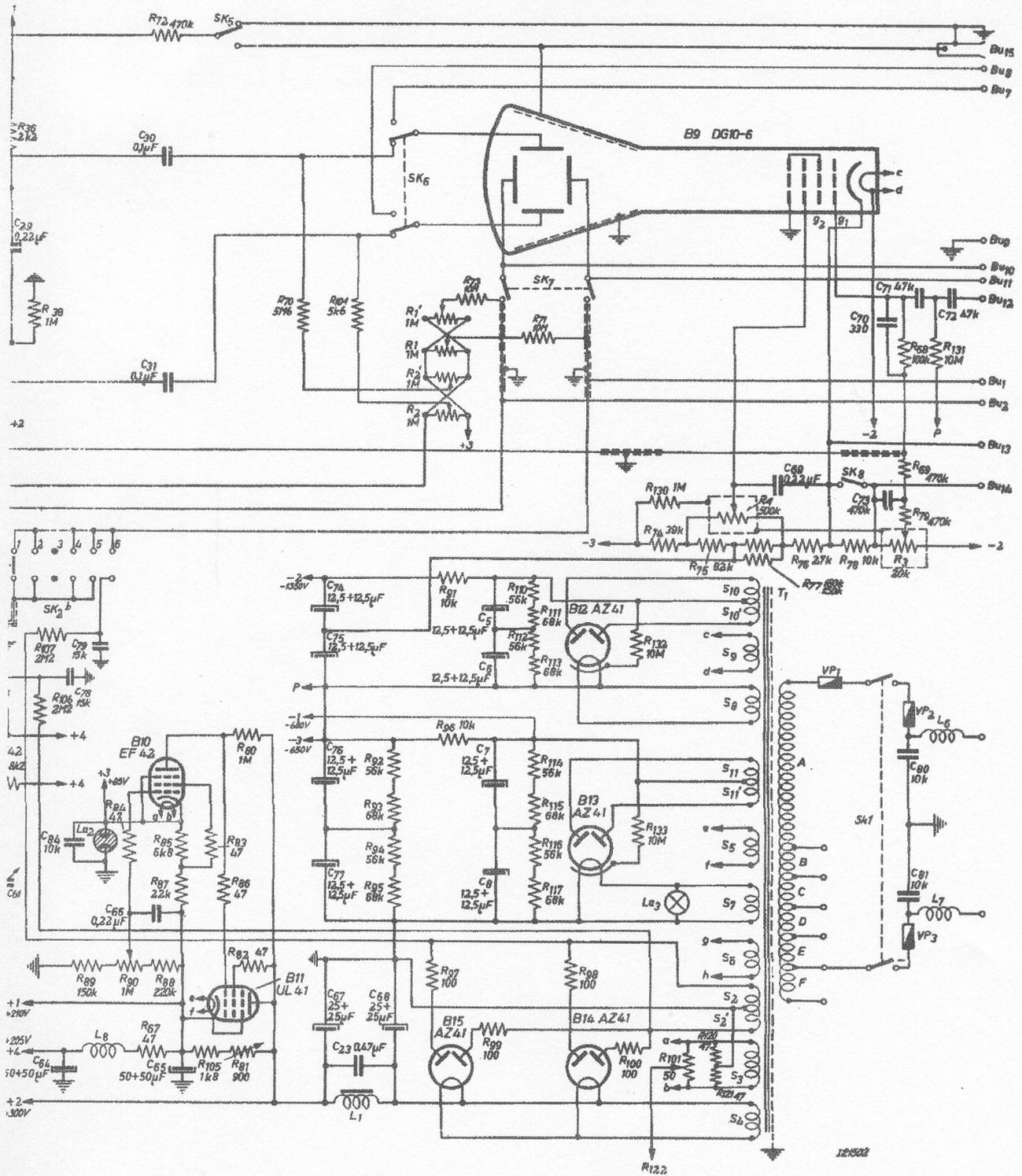
S. I.	L 2			L 3			L 4			L 5			L 6		
C	1.	2.	32,36,35,83.	44,45	3.	25.	4,48,24,86,90.	26,28,27,82,80.	32,31.	28,87.	29.	64.	30,31.		
C	42.		41, 40, 39, 38, 37,36,32,43.				48,51,53, 48,50,52,54,55.	85,46.	57, 22, 58,93, 59.	62, 62.	67.	78,79, 84.	65, 65.		
R	6, 136, 17, 15,124.	128, 10,8.	14,33.	7, 16, 18, 128,30,19,42,3	2,2	103, 24, 21, 127,135, 27, 28,26,29,58	25, 30, 66.	136, 141,31	41,139,140,34, 33,62,39,35	36,38.			72,85,87, 83, 81		
R	43, 138,43, 44.	45, 108, 46, 109	11, 12.	13, 48,57, 54,42, 48, 56,50,5,47.		51, 55, 52.	125.	8, 124.	119.	118,32,143,59,53,40,60,39,137,37.	63, 64.	87,106.	88, 84, 90,86,67, 80, 105, 81		

R 144,145,146.



M5653-01

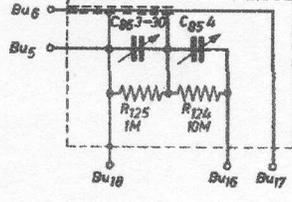
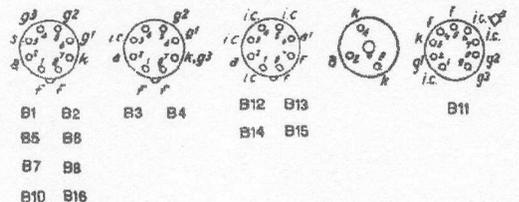
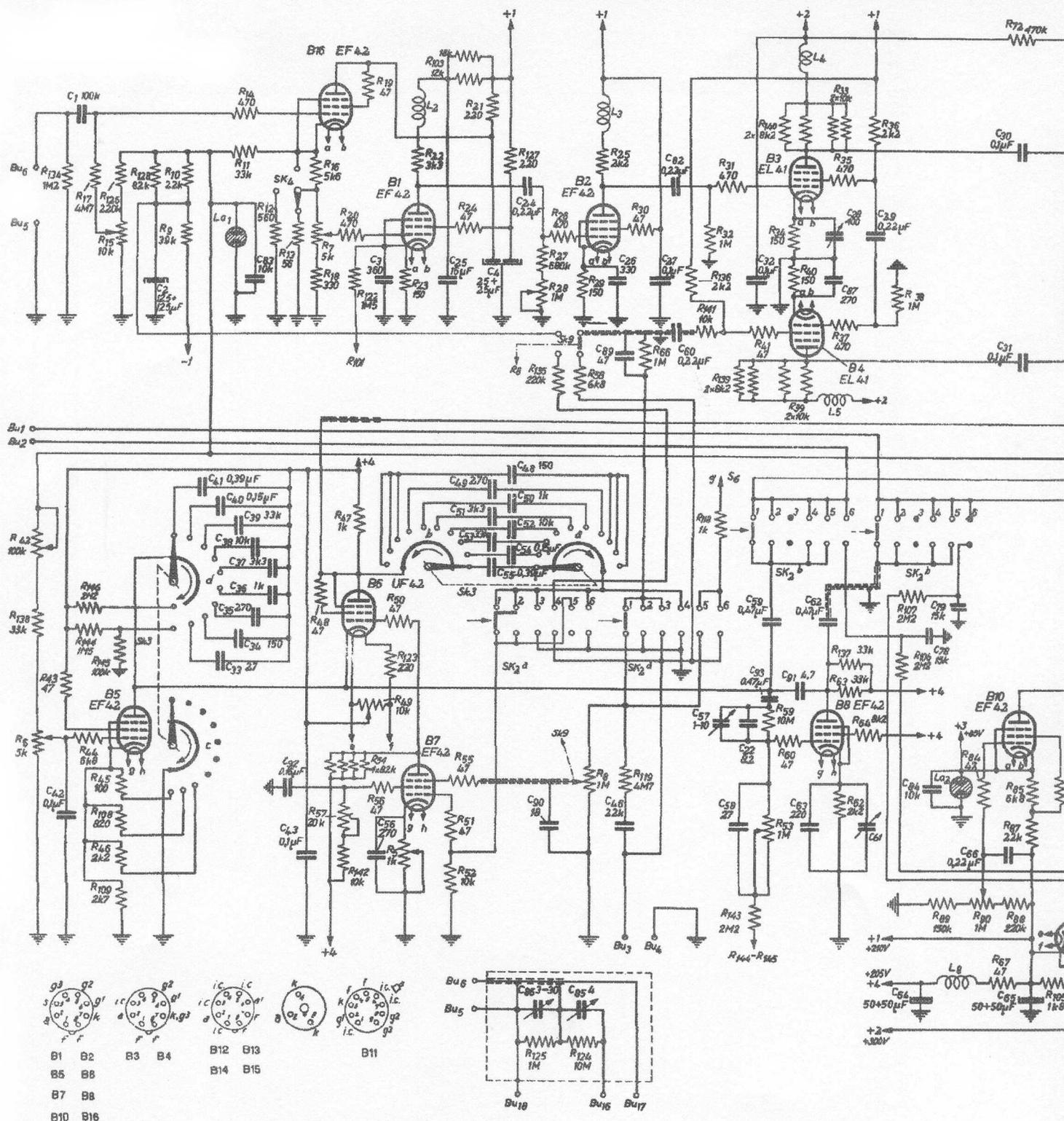
L8				L1				S1-S11				L6 L7	
32	64	30, 31		73, 77, 23			5, 6			69	73, 70, 71	72	
61	73, 78, 84	66, 65		74, 75, 67, 68			7, 8					80, 81	
76, 78		72, 85, 87	83, 88, 80	70	104		97, 1, 1', 2', 2', 23	71, 114, 115, 116, 117	100, 130, 101			68, 69, 72, 131	
54, 402, 106	88	84, 90, 88, 87	80, 105, 81, 82				92, 93, 94, 95, 97, 98, 99	110, 111, 112, 113, 98	132, 133, 74, 120, 121, 75, 4, 76	77, 78	76	78	3



121522

S. I.	L2										L3										L4										L5										L8																																																											
C	33.36.35.83										4.48.34.85.00										26.80.27.82.60										32.91.28.87										2.9										64										30.31																																							
C	42										41.40.39.38.37.36.32.43										4.8.51.52.4.8.50.52.54.55										85.4.6										57.22.58.93.59										63.62										61										78.78.84										66.65																			
R	6.134.17.15.126.128.10.8										M.39										7.16.16										20.19.12.3.23										103.24.21.12.74.35.2.7.28.26.29.38										2.5.30.66										196.141.31										41.139.140.34.33.62.39.35										36.39										72.85.87.8									
R	4.2.138.4.3.4.4.4.5.108.46.109										.11.12.12										4.8.5.7.54.142.4.9.56.50.5.4.2										51.55.52										125										8.124.119										118.32.43.59.5.3.40.60.39.137.37										63.64										107.106										89.84.90.88.67.80.105									

R: 144 145 146



ERRATA

De principe schema's van de GM5653-01 en GM5653-02-02F in de respectieve Service Documentaties GM5653-00-01 en GM5653-02 moesten als volgt worden verbeterd:

- 1 In de 10^e stand van SK3ab wordt C47=68pF ingeschakeld, zie fig.
- 2 De waarde van R90 in deze schema's moet zijn 100 KΩ
- 3 De waarde van R53 staat in het schema en de elektrische sruklijst van de GM5653/02 opgegeven als 1 MΩ, dit moet zijn: 100 KΩ.

The circuit diagrams of the GM5653-01 and GM5653-02-02F in the Service Manuals of the GM5653-00-01 and GM5653-02 respectively must be corrected as follows:

- 1 In the tenth position of SK3ab C47= 68pF is switched into circuit, see fig.
- 2 The value of R90 as indicated in these circuit diagrams must be 100 KΩ
- 3 The value of R53 in the circuit diagram and the list of electrical parts of the GM5653/02 must be 100 KΩ instead of 1 MΩ

Dans les schémas de principe du GM5653-01 et 02-02F des Documentations de Service GM5653-00-01 et GM5653-02 les corrections suivantes doivent être apportées:

- 1 Dans la dixième position de SK3ab C47=68 pF est connecté: voir fig.
- 2 La valeur de R90 dans la liste des pièces électriques et dans le schéma du type 02 doit être 100 KΩ au lieu de 1 MΩ.
- 3 La valeur de R90 dans ces schémas doit être 100 KΩ, au lieu de 1 MΩ

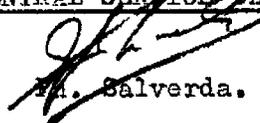
Folgende Korrekturen müssen angebracht werden in den Schaltbildern vom GM5653-01 und 02-02F in den Kundendienstanleitungen für GM5653-00-01 und GM5653-02.

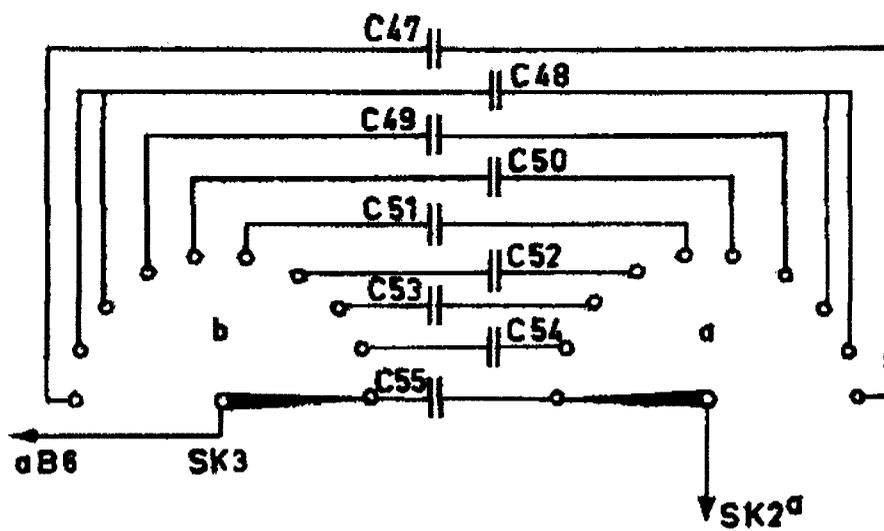
- 1 In Stellung 10 von SK3ab wird C47=68F eingeschaltet (siehe Abb.)
- 2 Der Wert von R90 in diesen Schaltbildern muss 100 KΩ sein, anstatt 1 MΩ.
- 3 Der Wert von R53 in der Liste der elektrischen Bestandteile und in dem Schaltbild des GM5653-02 muss 100 KΩ sein, anstatt 1 MΩ.

En los esquemas de principio del GM5653-01 y 02-02F de las Documentaciones de Servicio del GM5653-00-01 y GM5653-02 las siguientes enmiendas deben hacerse:

- 1 En la posición de SK3ab se intercala C47=68F (véase fig.)
- 2 El valor de R90 en estos esquemas debe ser 100 Kohmios en lugar de 1 Megohmio.
- 3 El valor de R53 en la lista de piezas eléctricas y en los esquemas del tipo GM5653/02 debe ser 100 Kohmios en lugar de 1 Megohmio.

CENTRAL SERVICE DEPARTMENT


A. Salverda.



ERRATA

1. Circuit diagrams GM 5653/00/01/02 and /02F

The heaters of valves B14 and B15 are connected in series, as shown in the figure below and not in parallel as shown in the circuit diagrams.

2. GM 5653/00/01 - Fig. 8 - GM 5653/02/02F - Fig. 5

For V11 please read VP 2

For V12 please read VP 3

3. GM 5653/00/01 - List of mechanical parts

Please delete - Item 32 - Milled nut - 07 601 90.0

4. GM 5653/02/02F - list of mechanical parts

Item 31 - Top cap for B11-A3 307 24.0 should be: item 32.

Please delete; Item 32 - milled nut - 07 601 90.0

Please add - Item 33 - lamp fitting La1, La2 - 49 231 31.2.

ERRATA

1. Esquemas de conexionado GM 5653/00/01/02 y /02F

Los filamentos de las válvulas B 14 y B 15 se han acoplado en serie, como se indica en la figura indicada a continuación y no en paralelo como se ha indicado en los esquemas de conexionado.

2. GM 5653/00/01 - Fig. 8 - GM 5653/02/02F - Fig. 5

V11 debe ser VP2

V12 debe ser VP3

3. GM 5653/00/01 - lista de piezas mecánicas

Pos 32 - tuerca fresada - 07 601 90.0 queda suprimido

4. GM 5653/02/02F - lista de piezas mecánicas

Pos 31 - terminal superior - A3 307 24.0 debe ser pos. 32

Pos 32 - tuerca fresada - 07 601 90.0 que da suprimido

Añádase : Pos 33 - Soporta - lámpara La1 y La2 - 49 231 31.2

ERRATA

1. Schémas GM 5653/00/01/02 et /02F

Les filaments des tubes B14 et B15 ont été branchés en série, comme il est indiqué à la figure ci-dessous et non en parallèle comme il est indiqué dans les schémas.

2. GM 5653/00/01 - fig. 8 - GM 5653/02/02F - fig. 5

V11 doit être VP2

V12 doit être VP3

3. GM 5653/00/01 - liste de pièces mécaniques

Pos. 32 - écrou moletté - 07 601 90.0 doit être supprimée.

4. GM 5653/02/02F - liste de pièces méoaniques

Pos 31 - connexion sur crête A3 307 24.0 doit être pos. 32

Pos 32 - écrou moletée - 07 601 90.0 doit être supprimée.

Ajouter: Pos 33 - support de lampe La1 et La2 - 49 231 31.2

ERRATA

1. Prinzipschaltbilder GM 5653/00/01/02 und /02F

Die Heizfäden der Röhren B14 und B15 sind in Reihe geschaltet worden wie in untenstehender Abbildung angegeben und nicht parallel wie in den Prinzipschaltbildern gezeichnet.

2. GM 5653/00/01 - Abb. 8 - GM 5653/02/02F - Abb. 5

V11 muss sein VP2

V12 muss sein VP3.

3. GM 5653/00/01 - Liste der mechanischen Ersatzteile

Pos. 32 - Rändelmutter - 07 601 90.0 wird hinfällig

4. GM 5653/02/02F - Liste der mechanische Ersatzteile

Pos 31 - Röhrenkappe - A3 307 24.0 muss sein Pos. 32

Pos.32 - Rändelmutter - 07 601 90.0 wird hinfällig

Hinzufügen: Pos 33 - Lampenfassung La1 und La2 - 49 231 31.2

ERRATA

1. Principeschema's GM 5653/00/01/02 en /02F.

De gloeidraden van de buizen B14 en B15 zijn in serie geschakeld, zoals aangegeven in onderstaande figuur en niet parallel zoals aangegeven in de principeschema's

2. GM 5653/00/01 - fig. 8 - GM 5653/02/02F - fig. 5

V11 moet zijn VP2 en V12 moet zijn VP3.

3. GM 5653/00/01 - mechanische stuklijst

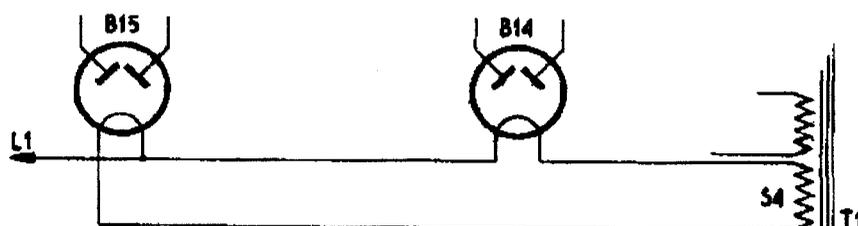
Pos. 32 - kartelmoer - 07 601 90.0 vervalt.

4. GM 5653/02/02F - mechanische stuklijst

Pos. 31 - Topaansluiting - A3 307 24.0 moet zijn: pos. 32

Pos. 32 - kartelmoer - 07 601 90.0 vervalt.

Toevoegen: Pos. 33 - Lamphouder La1 en La2 - 49 231 31.2



PHILIPS

KATHODENSTRAHL-
OSZILLOGRAPH
GM 5653

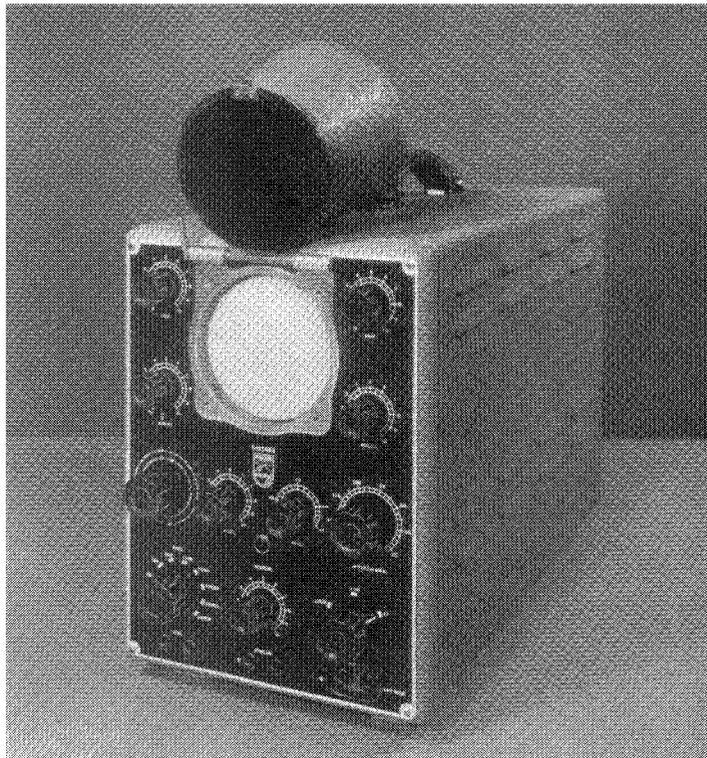


INHALTSVERZEICHNIS

	Seite
EINLEITUNG	2
ANWENDUNGEN	2
MECHANISCHER AUFBAU	3
BESCHREIBUNG DER SCHALTUNGEN	3
a. Kathodenstrahlröhre	3
b. Senkrechtverstärker	4
c. Zeitgerät	4
d. Speiseteil	5
e. Messkopf	6
TECHNISCHE DATEN	6
ANLAGE	8
Einstellung auf die örtliche Netzspannung	8
Röhren	8
Sicherungen	8
Anschluss	8
BEDIENUNG	9
Einschalten	9
Bildhelligkeit und Bildschärfe	9
Senkrechtablenkung	9
Waagerechtablenkung	10
Strahlunterdrückung	11
Einmalige Ablenkung und Schirmbildphotographie	11
Periodische und zeitweilige Elektronenstrahlmodulation	11
Verwendung des Elektronischen Schalters GM 4580	12
Verwendung des Elektronischen Schalters GM 4581	12
Verwendung des GM 4198 (Speisegerät für die Nachbeschleunigung)	12
Oszillogramme	12

PHILIPS

KATHODENSTRAHLOSZILLOGRAPH



GM 5653

TECHNISCHE DATEN

GEBRAUCHSANWEISUNG

GEBRAUCHSANWEISUNG ZU DEM PHILIPS KATHODENSTRAHLOSZILLOGRAPHEN GM 5653

EINLEITUNG

Dieser Apparat ist ein Breitbandoszillograph für universelle Messungen und für photographische Aufzeichnung von hoch- und niederfrequenten mechanischen wie elektrischen Vorgängen.

Obgleich die Frequenzkennlinie nur von 1 Hz bis 3 MHz linear ist, lässt sich der Apparat, allerdings mit geringerer Genauigkeit, auch für Frequenzen bis über 7 MHz gut gebrauchen; impulsförmige Spannungen werden nahezu ohne Verzerrung wiedergegeben.

Mit diesem Oszillographen ist somit auch genaueste Wiedergabe aller Synchronisiersignale in der Fernsehtechnik möglich.

Der Apparat enthält ein besonderes Zeitgerät, das eine symmetrische Spannung mit Frequenzen von 5 bis über 160 000 Hz liefert.

Für photographische Aufzeichnung lässt sich das Zeitgerät so einstellen, dass ein vollständiger Hin- und Rücklauf des Elektronenstrahls von aussen eingeleitet werden kann. Der Apparat ist mit stabilisierter Speisung ausgestattet, daher vermögen plötzliche Netzspannungsschwankungen den Gleichlauf in keiner Weise zu stören.

Durch die Verwendung einer durchscheinenden, geeichten Skala vor dem Bildschirm kann der Oszillograph auch als Scheitelspannungs-Voltmeter benutzt werden.

Er enthält eine symmetrische Kathodenstrahlröhre DG 10-6 von 10 cm Schirmdurchmesser, die ein helles Bild von grossem Auflösungsvermögen erzeugt, mit vorzüglicher Getreueheit auch an den Rändern. In der Standardausführung wird eine grünleuchtende Röhre geliefert.

Die Kathodenstrahlröhre ist durch einen Schirm aus sog. Mü-Material gut abgeschirmt, infolgedessen kann sogar ein starkes magnetisches Feld keine Bildverzerrungen hervorrufen.

Der Schirm kann durch Herabklappen mit einem grün durchscheinenden Raster versehen werden, das der Kontrastvergrößerung dient. Es hält normales Tageslicht ab, lässt jedoch das von der Röhre ausgestrahlte grüne Licht durch. Durch Mitbenutzung einer grossen Schutzkappe ist also die Ablesbarkeit selbst bei grellem Tageslicht ausgezeichnet.

An dem Oszillographen befindet sich ein Scharniergelenk zur Befestigung der Schutzkappe, des Photostativs GM 4193 (für „Rolleicord“-Kamera) oder des Vorsatz-Projektionsgerätes GM 4199.

Ferner wird zu dem Apparat ein auf einem abgeschirmten Kabel angebrachter Messkopf mitgeliefert, der den Anschluss des zu untersuchenden Signals vereinfacht. Darüber hinaus erlaubt er eine 20fache Abschwächung des Eingangssignals.

ANWENDUNGEN

Der Apparat eignet sich zur Untersuchung von hoch- und niederfrequenten periodischen wie aperiodischen Vorgängen auf allerlei Gebieten, wie:

1. Niederfrequente elektrische Vorgänge: Untersuchung der Form von niederfrequenten Spannungen und Strömen, des Spannungs- und Stromverlaufes bei Öffnen und Schliessen von automatischen Schaltern und Maximalrelais, ferner bei Durchbrennen von Schmelzsicherungen.
2. Hochfrequente elektrische Vorgänge: bei Radio- und Fernsehempfängern. Bei letzteren sei erwähnt die Sichtbarmachung:
 - a. der durchgelassenen Bandbreite (für verschiedene Systeme zwischen 4 und 6 MHz);
 - b. der HF-Wiedergabekennlinie eines Fernsehempfängers;
 - c. des Verhaltens der Tondiskriminatorschaltung;
 - d. der ZF-Wiedergabe des Bildkanals (bei dem 625-Zeilensystem muss der Bereich 0—4 MHz unverzerrt durchgelassen werden);
 - e. der Tonunterdrückung im Bildkanal;

- f. des Bildeingangssignals zu dem Bildverstärker;
 - g. des Bildeingangssignals am Gitter der Kathodenstrahlröhre;
 - h. der Wiedereinführung des Gleichstromkomponentes;
 - i. der Synchronisierungstrennung;
 - j. des Linearitätsmasses bei Waagrecht- und Senkrechtablenkung.
3. Mechanische Schwingungen: Aufspürung und Untersuchung von störenden Schwingungsvorgängen in Fabriken, Druckereien, Werkstätten, auf Schiffen, ferner an Motoren, Maschinen usw., unter Mitverwendung des Dynamischen Schwingungsgebers GM 5520, GM 5526 oder GM 5527 in Verbindung mit dem Amplitudenmessgerät GM 5522.
 4. Magnetische Schwingungen: Untersuchung von Form und Verlauf des magnetischen Feldes in der Nähe von Transformatoren und im Luftspalt von Drosselpulen mit Hilfe einer kleinen Messpule.
 5. Akustische Schwingungen: Sichtbarmachung und Aufzeichnung von störenden akustischen Schwingungen mit Hilfe eines Mikrophons.
 6. Optische Schwingungen: Aufzeichnung schneller Lichtveränderungen, die mittels einer photoelektrischen Zelle in elektrische Stromveränderungen umgewandelt werden. Damit ist die Untersuchung und Aufzeichnung von Lichtstärkeänderungen für Projektionszwecke möglich, ferner Geschwindigkeitsmessungen durch Unterbrechung des Lichtstrahls.
 7. Untersuchung schneller Temperaturänderungen, wie sie bei Ventilatoren auftreten können; ferner von Luftwirbeln, hierbei bedient man sich der Widerstandsänderung eines Drahtes durch Wechseln der Abkühlungsstärke.
 8. Werkstoffprüfung: Dehnung an den Faserenden, innere Dämpfung usw.
 9. Ferner Untersuchung der Belichtungszeit von Kameraverschlüssen durch Photographieren stillstehender Sinuskurven mit einer genau bekannten Frequenz. Hierfür eignet sich ausgezeichnet der Philips Tongenerator GM 2307 oder GM 2315.

MECHANISCHER AUFBAU

Bei der Konstruktion des Oszillographen wurde insbesondere geachtet auf:

1. zweckmässige Anordnung der Einzelteile, um gegenseitige Beeinflussung zu verhüten;
2. kurze Verbindungen;
3. einfache Instandhaltung (übersichtlich). Der Senkrechtverstärker, wie auch das Zeit- und das Speisegerät sind auf zwei getrennten Chassis übereinander montiert.
4. Dauerhaftigkeit (zuverlässig geschweisster Rahmen);
5. gute Abschirmung der Kathodenstrahlröhre, mittels Rohr aus Mü-Metall;
6. Kompakter Bau durch den ausschliesslichen Gebrauch von „Rimlock“-Röhren.

BESCHREIBUNG DER SCHALTUNGEN

a. Kathodenstrahlröhre (s. Fig. 1)

Die DG 10-6 ist eine symmetrische Röhre, d.h. die Ablenkspannungen müssen in bezug auf die Erde symmetrisch sein. Sowohl der Senkrechtverstärker als auch das Zeitgerät liefern eine symmetrische Spannung. Mit Hilfe einer Anodenspannung von 1200 V und einer Nachbeschleunigungsspannung von 350 V erhält man ein helles grünes Bild von grosser Schärfe, das sich photographisch festhalten lässt. Die Schreibgeschwindigkeit ist derartig, dass auch kleinste Details, z.B. von Fernseh-Synchronisierungssignalen, sichtbar gemacht werden können.

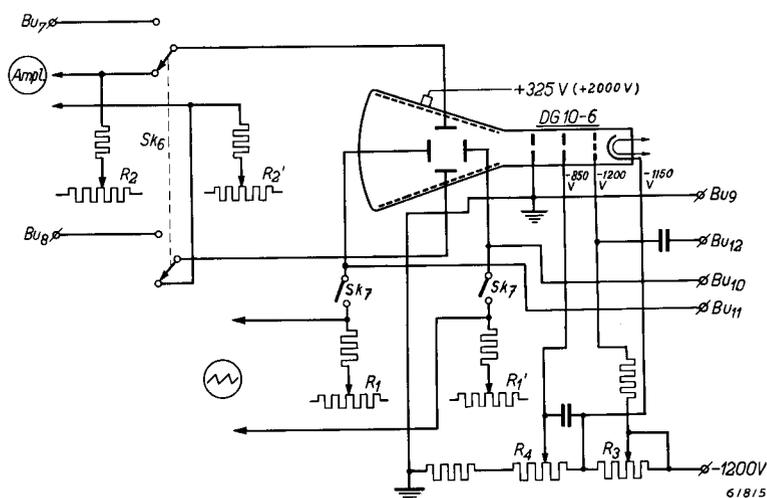


Fig. 1. Kathodenstrahlröhre

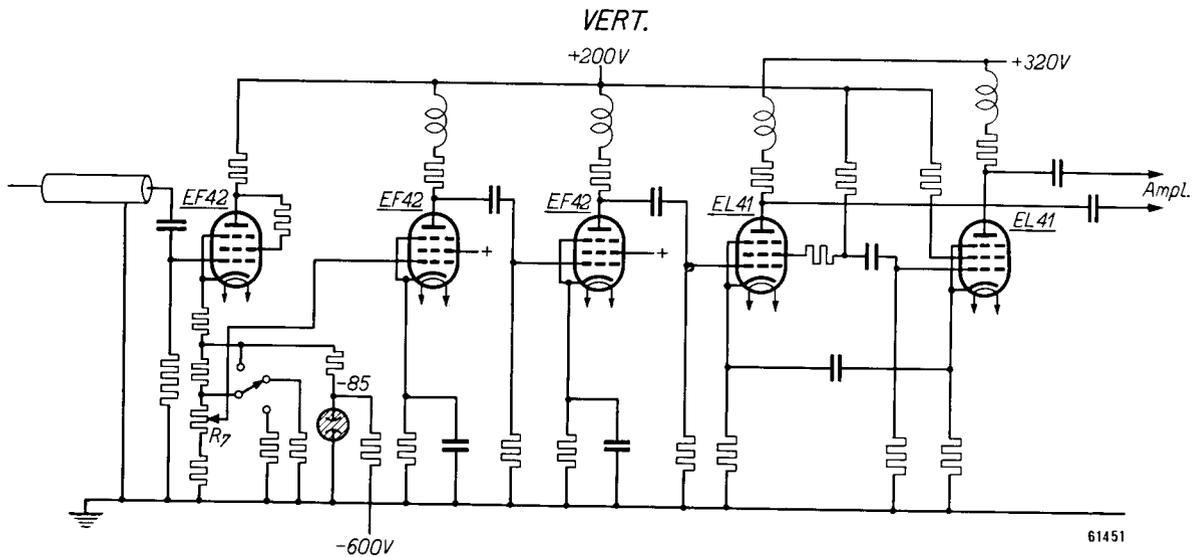


Fig. 2. Senkrechtverstärker

b. Senkrechtverstärker (s. Fig. 2)

Dieser Verstärker umfasst drei Stufen mit insgesamt 5 Steilpentoden. Die letzten zwei Röhren sind in Gegentakt geschaltet, die Spannungsverstärkung ist rund 700fach.

Die Anoden- und Schirmgitterspannungen der ersten drei Stufen des Senkrechtverstärkers, sowie die Schirmgitterspannungen der letzten Stufe sind stabilisiert.

Die Eingangsspannung ist in Stufen von 1:1, 10:1, und 100:1 wie auch stufenlos im Verhältnis von 11:1 regelbar.

Auf diese Weise lässt sich die Empfindlichkeit des Verstärkers stufenlos zwischen 15 mV_{eff/cm} und 14 V_{eff/cm} regeln. Mit Hilfe des Messkopfes, der an die Klemmen Bu₅ und Bu₆ rechts auf der Stirnplatte angeschlossen werden kann, ist es möglich, die maximale Eingangsspannung auf dem Senkrechtverstärker auf 280 V_{eff} weiter zu vergrößern.

Die Ablenkplatten der Kathodenstrahlröhre sind an der Rückseite des Apparates herausgeführt, so dass gewünschtenfalls das Signal direkt an die Platten angeschlossen werden kann.

c. Zeitgerät (s. Fig. 3)

Die Wirkungsweise des Zeitgerätes lässt sich wie folgt zusammenfassen:

Angenommen, der Anfang eines Kreislaufs sei durch eine kleine Potentialdifferenz über C_L gekennzeichnet, und es sei demzufolge das Potential des Anodenstromes von B₇ in bezug auf die positive Batteriespannung in gewissem Sinne negativ, dann ist B₆ gänzlich gesperrt, weil das Gitter von B₆ direkt mit der Anode von B₇ verbunden, und das Kathodenpotential von B₆ der Speisespannung gleich ist. C_L wird dann allmählich durch B₅ aufgeladen.

Da der Strom dieser Röhre konstant ist, sinken sowohl das Anodenpotential von B₅ als auch das Kathodenpotential von B₆ linear ab. Hierdurch wird über C_L die lineare Zeitablenkspannung erzeugt, und dieser Prozess setzt sich fort, bis das Kathodenpotential von B₆ dem Gitterpotential nahekommt. In diesem Moment wird B₆ leitend

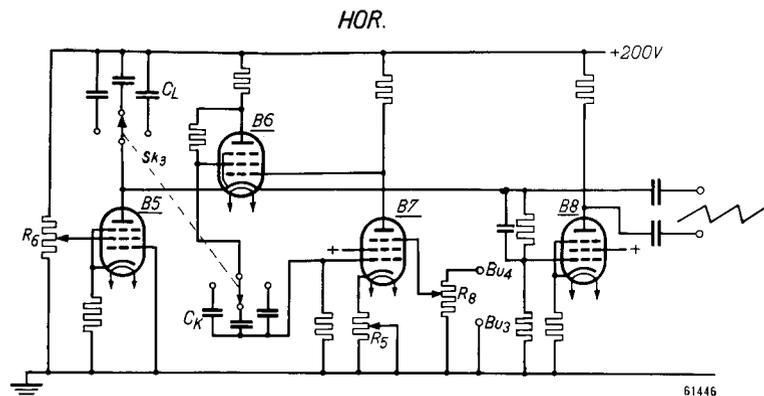


Fig. 3.

und einen Spannungsabfall über dem Anodenwiderstand hervorrufen. Hierdurch entsteht auch ein Spannungsabfall über C_L , so dass die negative Gitterspannung von B_7 ansteigt und die Röhre B_7 infolgedessen weniger Anodenstrom führt.

Als Folge davon steigt dann das Anodenpotential von B_7 und wird das Gitter von B_6 noch stärker positiv, so dass der Kathodenstrom von B_6 sprunghaft zunimmt. Dieser Vorgang hat eine schnelle Entladung von C_L zur Folge, den sog. Rückschlag, der uns wieder an den Beginn des Kreislaufes zurückbringt.

Frequenzeinstellung - Die Einstellung des Frequenzbereiches für Ablenkung erfolgt durch SK_3 . Für jeden Bereich sind zwei Kondensatoren C_L und C_K mit je einem anderen Wert vorgesehen. Nach Einschalten des Bereichschalters SK_3 ist das Potentiometer R_6 in der Lage, die Schirmgitterspannung von B_5 stufenlos zu regeln. Diese Regelung der Schirmgitterspannung ruft in dem Lade-
strom von C_L eine kleine Änderung hervor, hierdurch kann die Frequenz mit Hilfe von R_6 sehr genau eingestellt werden.

Synchronisierung - Um die Wiederholungsfrequenz der Zeitablenkung mit der Frequenz des zu beobachtenden Vorganges synchronisieren zu können, ist es notwendig, den Anfang jeder Periode der Ablenkung durch ein Signal von derselben Quelle einzuleiten. Dieses Signal wird dem Fanggitter von B_7 über den Synchronisieramplitudenregler R_8 zugeführt. Neben der Eigensynchronisierung ist auch Fremdsynchronisierung möglich. Der Gleichlaufschalter SK_2 , unter „Bedienung“ näher beschrieben, bietet hierzu verschiedene Möglichkeiten, z.B. auch die einer sog. einmaligen Zeitablenkung.

Amplitudenregelung - R_5 regelt den maximalen Anodenstrom von B_7 und damit die Breite des Bildes. Gleichzeitig wird so die Sägezahnspannung über B_6 geregelt.

d. Speiseteil (s. Fig. 4)

Ein Universal-Speisetransformator liefert gemeinsam mit zwei parallelgeschalteten Gleichrichter-
röhren AZ41 die 325 V Gleichspannung für die Anodenspeisung.

Die Heizfäden der beiden Röhren $B14$ und $B15$ sind in Serie geschaltet; wenn also eine Röhre ausfällt, wird die andere automatisch ausser Betrieb gesetzt.

Die 325 V Gleichspannung wird einem Spannungsregulator (Fig. 5) zugeführt, der eine stabilisierte Spannung von 200 V liefert. Dadurch wird eine gute Synchronisierung auch bei schwankender Netzspannung erzielt.

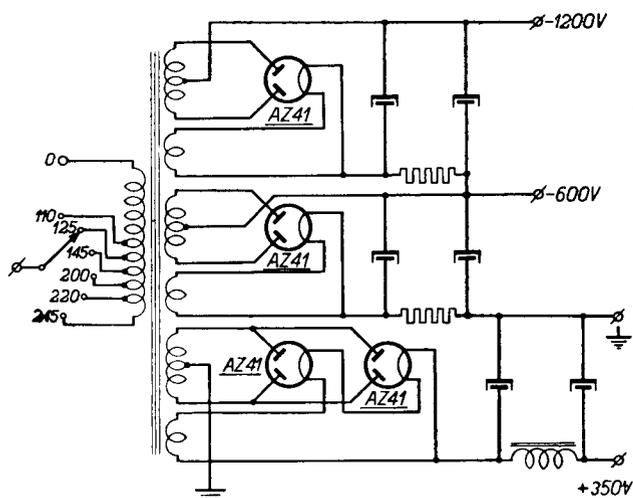


Fig. 4. Speiseteil

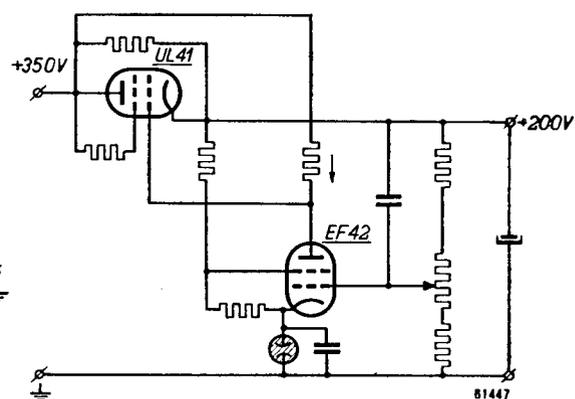


Fig. 5. Stabilisierung

Die Hochspannung für die Kathodenstrahlröhre wird zwei Gleichrichtern AZ41, die in Serie liegen, entnommen. Da die positive Seite dieser Spannungsquelle geerdet ist, steht somit eine Spannung von -1200 V zur Verfügung.

Spannungsteiler und Kathodenstrahlröhre sind in Fig. 1 ersichtlich. Die Kathodenspannung liegt fest, die Spannung des Wehneltzylinders kann mittels R_3 eingestellt werden (Helligkeitsregelung). Ferner sieht man in der Figur die Fokussierung (R_4), die Waagerechteinstellung (R_1 - R_1') und die Senkrechteinstellung (R_2 - R_2').

e. **Messkopf** (s. Fig. 6)

Um den wirksamen Spannungsbereich dieses Oszillographen zu vergrößern, sowie um eine hohe Impedanz und eine kleine Eingangskapazität zu erhalten, kann an die Eingangsklemmen Bu_5 und Bu_6 ein Messkopf angeschlossen werden.

Die zu untersuchenden Spannung kann entweder direkt an den Eingang des Oszillographen angeschlossen, ($14 V_{eff,max}$) oder aber 20fach abgeschwächt werden ($280 V max.$), je nach Wahl des Kontaktes auf dem Messkopf. Schaltbild siehe Fig. 6.

C_i stellt die Verdrahtungs- und Eingangskapazität des Verstärkers dar und liegt parallel zu einem Widerstand von 1 Megohm (R_s). Mit dem 10 Megohm Widerstand R_p bildet C_i ein Filter, das die hohen Frequenzen stärker abschwächt als die niedrigen. Um hier einen Ausgleich zu schaffen, wird C_{86} dem 1 Megohm Widerstand parallelgeschaltet.

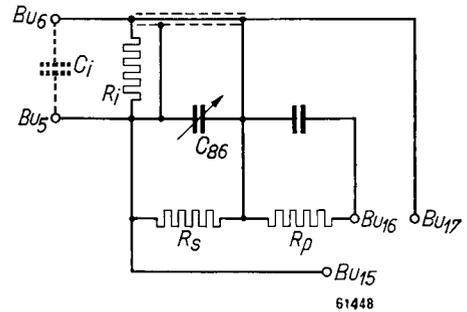


Fig. 6. Messkopf

TECHNISCHE DATEN

Speisung

Gänzlich aus dem Wechselstromnetz, umschaltbar für 110, 125, 145, 200, 220 und 245 V (40-100 Hz). Stromverbrauch ca. 110 W.

Der Speisetransformator besitzt eine Temperatursicherung.

Röhren

1 Kathodenstrahlröhre (10 cm Durchmesser, grünleuchtender Schirm)
DG 10-6 (1200 V)

Verstärker:	3 HF—Pentoden	EF 42
	2 NF—Pentoden	EL 41
Zeitgerät:	3 HF—Pentoden	EF 42
	1 HF—Pentode	EF 42
Speisegerät:	4 doppelphasige Gleichrichterröhren	AZ 41
	1 Endpentode	UL 41
	1 HF—Pentode	EF 42
	2 Neon-Stabilisiererröhren	85 A1
	1 Beleuchtungslämpchen	8045 D

Gewicht

Komplett mit Röhren ca. 26 kg

Abmessungen

Höhe	31,5 cm
Breite	25 cm
Tiefe	46,5 cm

Senkrechtablenkung

Eingang	Mindestempfindlichkeit bei Maximalverstärkung		Eingangswiderstand $M\Omega$	Eingangskapazität gegen Erde pF	Max. Eingangsspannung V_{eff}
	V_{eff}/cm	V_{s-s}/cm			
Bu ₅ und Bu ₆	0,015	0,042	1	<15	14
Bu ₇ und Bu ₈	8	22,5	>100	<20	80
Mit Messkopf, unabgeschwächt	0,015		0,5	<70	14
Mit Messkopf, 20fach abgeschwächt	0,3		10	< 8	280

Waagerechtablenkung

Eingang	Empfindlichkeit V_{s-s}/cm	Eingangswiderstand $M\Omega$	Eingangskapazität pF	Max. Eingangsspannung V_{eff}
Bu ₁ und Bu ₂ mit ext. Zeitgerät („3“)	9,5	10	<50	100
Bu ₁₀ und Bu ₁₁	9,5	>100	<18	100

Frequenzbereich für Senkrechtablenkung

Signal	Frequenz in Hz	Max. Empfindlichkeitsabweichung in % ca.
Impulsförmig	50-200 000 *)	0
Sinusförmig	1 Hz	-12
Sinusförmig	3 Hz	+30
Sinusförmig	10-1 000 000	+6 — 3
Sinusförmig	3 000 000	-25
Sinusförmig	5 000 000	-55
Sinusförmig	7 000 000	-70

Frequenzbereich für Waagerechtablenkung

Bereich der Zeitablenkfrequenz: 5 Hz — 160 kHz.

Bereich mit beschränkter Waagerechtablenkung (6 cm): 5 Hz — 200 kHz.

Stellung	Frequenz in Hz	Stellung	Frequenz in Hz
1	5 — 25	6	1500 — 7 000
2	15 — 75	7	5000 — 20 000
3	50 — 250	8	10 000 — 40 000
4	150 — 750	9	25 000 — 100 000
5	500 — 2000	10	40 000 — 160 000

*) Gut brauchbar bis 500 000 Hz.

ANLAGE

EINSTELLUNG AUF DIE ORTLICHE NETZSPANNUNG

Die eingestellte Netzspannung des Apparates ist durch die runde Öffnung an seiner Rückseite ablesbar. Falls sie nicht mit der Spannung des Ortsnetzes übereinstimmt, dann löse man die drei Schrauben und die Erdanschlussklemme an der Rückseite und ziehe das Chassis ein wenig heraus. Öffnet man hiernach die Klappe, so sieht man etwas weiter unten den Karussellschalter. Dieser muss ein wenig herausgezogen, in die richtige Stellung (Spannungswerte oben) gebracht und dann wieder hineingedrückt werden. Brauchen keine Röhren in den Apparat eingesetzt zu werden, so kann man das Chassis wieder zurückschieben und befestigen.

RÖHREN

Normalerweise befinden sich bei Ablieferung des Apparates die Röhren bereits in demselben. Es empfiehlt sich, die Röhren, insbesondere die der beiden Verstärker, nicht ohne zwingenden Grund auszuwechseln, da hierdurch die Frequenzkurve nachteilig beeinflusst werden könnte. Sollte aber ein Röhrenwechsel unbedingt notwendig sein, so ziehe man die Figuren 7 und 8 zu Rate.

SICHERUNGEN

Die Fassungen $V1_1$ und $V1_2$ auf der Anschlussplatte an der Rückseite sind mit 1,6 A-Sicherungen versehen (Kodenr. 08 141 54).

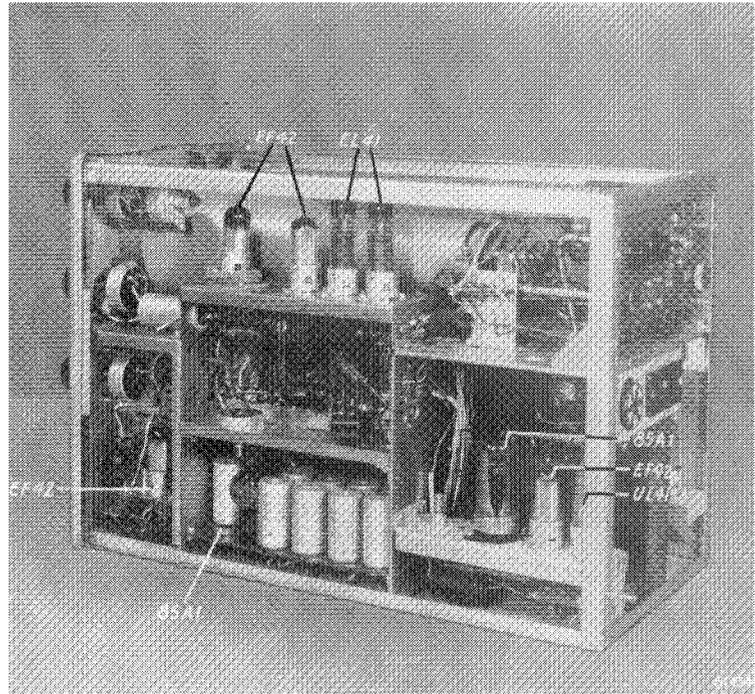
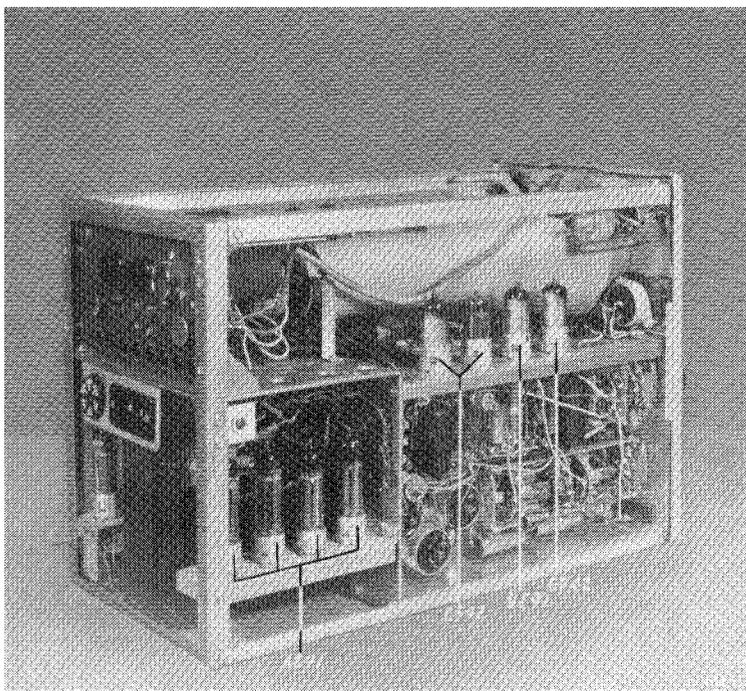


Fig. 7



ANSCHLUSS

Erde - Die grosse Rändelmutter „ $\frac{1}{2}$ “ (Fig. 9), an der Rückseite, ist mit einer zuverlässigen Erdleitung zu verbinden. Erst danach darf die Verbindung mit dem Netz erfolgen.

Netz - Die Schnur für den Netzanschluss ist lose beigelegt. Sie wird an die versenkten Steckstifte einerseits und die Steckdose des Wechselstromnetzes andererseits angeschlossen.

Fig. 8

- b. Wenn das Signal eine Gleichstromkomponente enthält.
- c. Bei Verwendung der elektronischen Schalter GM 4580 und GM 4581.

Die Senkrechtblenklplatten können durch Herausziehen des Ablenkungsschalters Sk_6 direkt an die Klemmen Bu_7 und Bu_8 (s. Fig. 9) angeschlossen werden. Über Eingangsspannung, Eingangswiderstand und Empfindlichkeit dieser Klemmen siehe unter „Technische Daten“.

Bei normalem Gebrauch ist Schalter Sk_6 hineingedrückt. Interne Synchronisierung ist auch in diesem Falle möglich, das ist von Wichtigkeit bei der gleichzeitigen Wiedergabe zweier Signale mit Hilfe der Philips Elektronenschalter.

WAAGERECHTABELNKUNG

1. Mittels eingebauten Zeitgeräts

Der Synchronisierschalter Sk_2 bietet folgende Möglichkeiten:

Stellung 1: „Intern - Intern“

Die in dem Apparat erzeugte Zeitspannung wird an die Platten für waagerechte Ablenkung gelegt. Die Bildbreite ist mittels R_5 einstellbar. Ist die Frequenz des Eingangssignals gleich oder ein Vielfaches der Zeitablenkfrequenz (oder umgekehrt), so wird ein stillstehendes Bild erhalten.

Die Regelung der Zeitablenkfrequenz erfolgt stufenweise mit Sk_3 und stufenlos mit R_6 . Die richtige Frequenz lässt sich beiläufig berechnen durch Vervielfachung des Bereiches von Sk_3 mit dem von R_6 angezeigten Wert. Mittels R_8 (s. Fig. 3) kann die Amplitude der Gleichlaufspannung auf ihren entsprechenden Wert eingestellt werden. Wichtig ist, dass die Amplitude den für ein stillstehendes Bild erforderlichen Wert nicht überschreitet, da übermäßige Grösse derselben die Arbeitsweise des Zeitgerätes beeinträchtigen kann. Darum empfiehlt es sich, R_8 vollständig zurückzudrehen und zu Frequenz des Zeitgerätes nachzuregulieren, bis das Bild nahezu stillsteht. Um es zum Stillstand zu bringen, braucht man nachher lediglich R_8 nach rechts zu drehen.

Stellung 2: „Extern - Intern“

Das eingebaute Zeitgerät ist eingeschaltet.

Das unbekannte Signal wird an die Eingangsklemmen Bu_5 und Bu_6 angeschlossen, die diesem Signal entnommene Synchronisierspannung an die Klemmen Bu_3 und Bu_4 (min. 10 V_{eff} , max. 150 V_{eff}). Mittels R_5 wird das Bild auf ausreichende Breite eingestellt.

Stellung 3: „Intern - Extern“

In dieser Stellung ist das eingebaute Zeitgerät ausgeschaltet, und wird die Spannung für die Waagerechtablenkung den Buchsen Bu_1 und Bu_2 zugeführt.

Die zugeführte Wechselfrequenz darf nicht höher sein als 100 V_{eff} , die Bildbreite muss an der Spannungsquelle eingestellt werden.

Zur Synchronisierung dieser Ablenkspannung mit der Frequenz der Spannung für die senkrechte Ablenkung kann eine Synchronisierspannung von ca. 1 V an den Buchsen Bu_3 und Bu_4 abgenommen werden, unter der Bedingung, dass der Belastungswiderstand 0,1 Megohm nicht unterschreitet.

Stellung 4: „Einmalige Ablenkung“ ($1 \times \swarrow \searrow$)

Für die photographische Aufzeichnung einer einzelnen Figur ist Unterdrückung des Kathodenstrahls notwendig, bis zu dem Moment, wo der Vorgang auftritt. Die Zeitablenkung kann nun mittels eines aus einem Schalter und einer Batterie von mindestens 10 V bestehenden Systems eingeleitet werden. Der negative Pol der Batterie muss an Bu_4 angeschlossen sein.

Stellung 5: „50 \searrow - Intern“

In dieser Stellung wird die Waagerechtablenkung durch die eingebaute lineare Zeitablenkspannung zustande gebracht. Diese Spannung ist mit der örtlichen Netzfrequenz synchronisiert. Die Bildbreite ist mittels R_5 kontinuierlich einstellbar.

Anwendung: Frequenz- und Phasenmessungen mit Bezug auf die Netzfrequenz.

Stellung 6: „50 \searrow - Extern“

An die Klemmen Bu_1 und Bu_2 der Stirnplatte kann eine lineare Zeitablenkspannung für waagerechte Ablenkung angeschlossen werden. An den Klemmen Bu_3 und Bu_4 ist eine sinusförmige Spannung der Netzfrequenz verfügbar zur Synchronisierung dieser äusseren Zeitablenkspannung mit der Spannung für senkrechte Ablenkung.

2. Anschluss der Ablenkspannung direkt an die Waagerechtablenkplatten

Bisweilen ist es erwünscht, die Spannung für waagerechte Ablenkung direkt an die Platten der Kathodenstrahlröhre anzuschliessen.

In diesem Falle müssen die beiden Anschlussstreifen Sk_7 auf der Rückwand, die die Platten der Kathodenstrahlröhre mit dem Zeitgerät verbinden, losgelöst werden (s. Fig. 9). Der Anschluss erfolgt an den Buchsen Bu_{10} und Bu_{11} .

STRAHLUNTERDRÜCKUNG

Normalerweise wird der Elektronenstrahl während des Rückschlages unterdrückt. Das ist wichtig, weil sich die Figuren dadurch besser deuten lassen.

EINMALIGE ABLENKUNG UND SCHIRMBILDPHOTOGRAPHIE

Für das Photographieren des Bildes wird das Philips aufklappbare Stativ GM 4193 mit „Rolleicord“-Kamera besonders empfohlen; die Aufnahme kann hierbei bei Tageslicht erfolgen, und das Bild bleibt auch während der Aufnahme sichtbar. Vereinfacht wird die Aufnahme durch die Anwendung einer Einzelablenkung, die in Stellung „4“ des Synchronisierschalters Sk_2 eingeschaltet ist. Zum Einschalten der einmaligen Ablenkung muss nun den Synchronisierungsbuchsen Bu_3 und Bu_4 ein Spannungsstoss zugeführt werden, und zwar in folgender Weise:

Zwischen den Buchsen Bu_3 und Bu_4 wird eine Gleichspannung von ca. 10 V derart angeschlossen, dass die Buchse Bu_4 gegen Buchse Bu_3 (Erde) negativ wird. Die Verbindung von Bu_3 mit dem positiven Pol der Batterie wird durch einen Schalter hergestellt.

Die Folge ist, dass der Bildpunkt sich zur Schirmmitte bewegt. Sodann muss der Knopf mit Hilfe des Einstellknopfes R_1 links auf dem Schirm eingestellt werden.

Zu Beginn des Vorganges öffnet man den äusseren Schalter, woraufhin sich der Punkt sofort mit konstanter Geschwindigkeit (abhängig von der Stellungen von Sk_3 und R_6) nach rechts bewegt.

Man hält den Schalter während der Dauer des Vorganges offen.

Wenn man den Schalter wieder rechtzeitig (z.B. nach 1 Sekunde) schliesst, so wird der Punkt sofort nach links springen, um nach einiger Zeit in seinen Ruhezustand (links auf dem Schirm) zurückzukehren. Erst dann kann durch erneutes Öffnen des äusseren Schalters die einmalige Bewegung wiederholt werden.

(Hält man den Schalter offen, so kann man 2, 3 oder mehrere Zeitspannungsperioden nacheinander erhalten.)

Der Rhythmus der Wiederholung hängt von der jeweils eingestellten Zeitablenkfrequenz ab. Die Erholungszeit beträgt 10% der Zeit, innerhalb welcher sich der Vorgang abspielt.

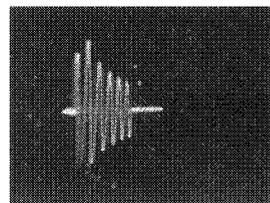
So kann ein Vorgang von $\frac{1}{100}$ sec Dauer z.B. nach $\frac{1}{1000}$ sec wiederholt werden.

PERIODISCHE UND ZEITWEILIGE ELEKTRONENSTRAHLMODULATION

Bei verschiedenen Vorgängen ist es ferner erwünscht, in dem Diagramm über eine Zeitmarke zu verfügen. Man kann hierzu eine gestrichelte Linie hervorbringen, wobei dann die zwischen den Strichen liegende Zeit bekannt ist. Man schliesst zwischen den Buchsen Bu_{12} und Bu_9 (Erde) (Fig. 9) eine Wechselspannung mit Frequenz n an. Bei genügend grosser Amplitude (ca. 15 V_{eff}) wird der Elektronenstrahl n mal in der Sekunde unterdrückt, wodurch man ein gestricheltes Diagramm erhält.

Die zwischen zwei einzelnen Strichen liegende Zeit beträgt $\frac{1}{n}$ sec.

Für diesen Zweck wird die Verwendung des Philips Tongenerators GM 2315 (GM 2307) empfohlen. Auf ihm kann die Frequenz direkt abgelesen werden. Beim Photographieren eines vollständigen Bildes ist die Belichtungszeit der Kamera der Zeitdauer einer vollständigen Periode der Zeitablenkspannung anzugleichen.



Überschreitet die Belichtung diese Zeitdauer, so kommen mehrere Bilder übereinander zu liegen und fallen die Striche der Bilder zusammen, wodurch oft keine zuverlässige Beobachtung möglich ist. Dies kann man vermeiden, indem man die Synchronisierung ausser Betrieb setzt und die Frequenz des Zeitgerätes so einstellt, dass das Bild sich langsam verschiebt. Die aufeinanderfolgenden Bilder werden alsdann gegeneinander ein wenig verschoben sein.

Die Unterdrückung des Elektronenstrahls kann auf zweierlei Art wie folgt geschehen:

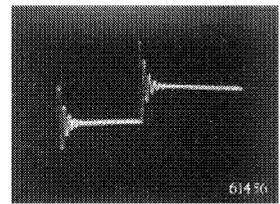
1. Der Helligkeitsregler R_3 wird zurückgedreht, bis das Bild ganz verschwindet. Zwischen den Buchsen Bu_{12} und Bu_9 wird eine Wechsellspannung genügend hoher Frequenz angeschlossen. Die Amplitude dieser Spannung wird so eingestellt, dass die Helligkeit hinreichend gross ist. Die Frequenz ist so zu wählen, dass eine durchlaufende Linie entsteht. Wenn man das Signal unterdrückt, verschwindet das Bild. Ist die Ausgangsimpedanz der angeschlossenen Spannungsquelle genügend niedrig, so wird die Bildunterdrückung während des Rückschlages wieder aufgehoben.
2. Auch durch einen äusseren Schalter kann der Elektronenstrahl unterdrückt werden. Schalter Sk_8 (s. Fig. 9) wird in die Stellung „Suppr.“ gebracht, der äussere Schalter kann alsdann zwischen den Klemmen Bu_{13} und Bu_{14} auf der Rückwand angeschlossen werden.

N.B. Berührung des äusseren Schalters oder der Zuleitungen ist lebensgefährlich. Die Leitungen zu diesem äusseren Schalter müssen ferner von bester Qualität sein, da sie gegenüber dem Chassis auf mindestens 1200 V liegen.

VERWENDUNG DES ELEKTRONISCHEN SCHALTERS GM 4580

Mittels der mitgelieferten Schnüre werden die Buchsen Bu_9 und Bu_{10} des elektronischen Schalters (s. diesbezügliche Gebrauchsanweisung) mit den Klemmen Bu_7 und Bu_8 des Oszillographen verbunden.

Schalter Sk_6 muss herausgezogen sein. In dieser Stellung werden die Signale direkt an die Ablenkplatten angeschlossen. Sodann wird eine Verbindung zwischen Bu_5 (oder Bu_3) des GM 4580 und Bu_1 (oder Bu_6) des GM 5653 hergestellt.



VERWENDUNG DES ELEKTRONISCHEN SCHALTERS GM 4581

In diesem Falle sind die Buchsen Bu_{11} und Bu_{12} dieses Gerätes (s. diesbezügliche Gebrauchsanweisung) mit den Buchsen Bu_8 und Bu_9 des GM 5653 zu verbinden.

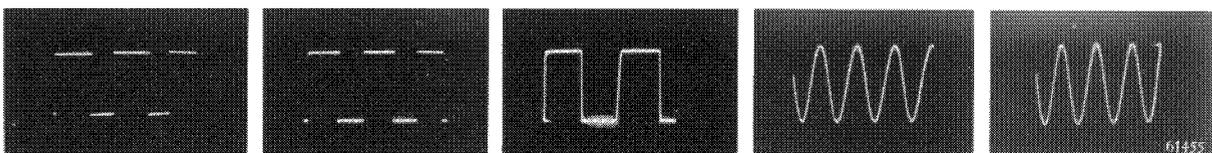
Man verbinde die Erdklemmen beider Apparate und lege eine davon an Erde.

VERWENDUNG DES GM 4198 (SPEISEGERÄT FÜR DIE NACHBESCHLEUNIGUNG)

An die rückseitige Anschlussplatte kann über Bu_{15} eine Nachbeschleunigungsspannung angeschlossen werden. Diese darf höchstens 2000 V betragen. Vgl. auch die zugehörige Gebrauchsanweisung.

OSZILLOGRAMME

Zuletzt werden in Fig. 10 noch einige Oszillogramme gezeigt. Sie wurden aufgenommen mit einer Rolleicord-Kamera mit Objektiv $f:3,5$; Belichtungszeit $1/5$ sec; Aufnahmematerial Agfa Isopan 21/10³ DIN; Verkleinerung 3 : 1.



20 Hz

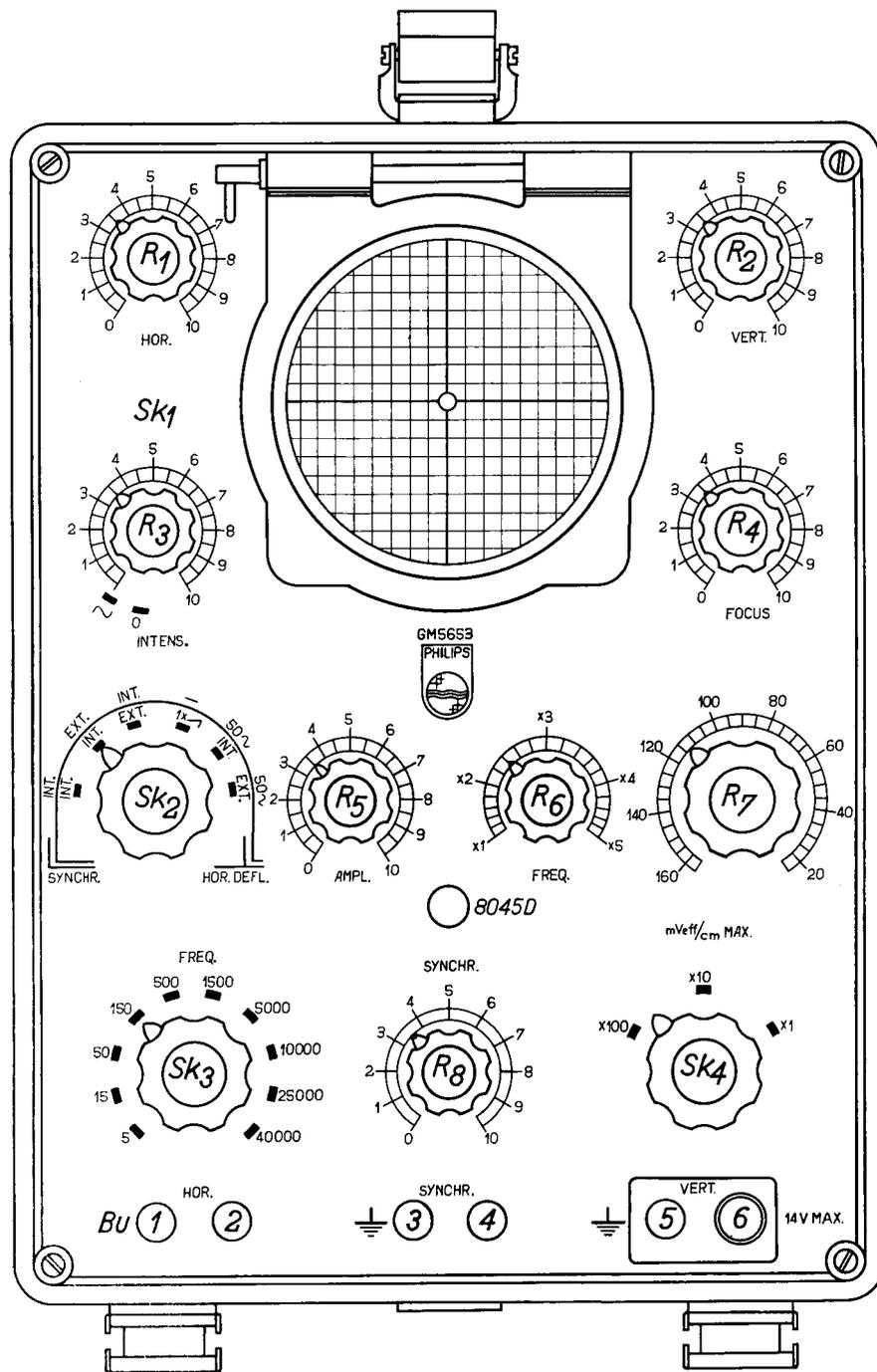
10 kHz
Rechteckspannung

200 kHz

20 Hz
Sinusförmige Spannung

200 kHz

Fig. 10



61452

Fig. 11
Vorderansicht des Oszillographen

- | | |
|--|--|
| R_1 = Waagerechteinrichtung | Sk_1 = Netzschalter |
| R_2 = Senkrechteinrichtung | Sk_2 = Synchronisierschalter |
| R_3 = Helligkeitsregelung | Sk_3 = Grobregelung Zeitablenkfrequenz |
| R_4 = Fokussierung | Sk_4 = Grobregelung Senkrechtamplitude |
| R_5 = Waagerechtamplitude | |
| R_6 = Feinregelung Zeitablenkfrequenz | Bu_1 - Bu_2 = Waagerechteingang |
| R_7 = Feinregelung Senkrechtamplitude | Bu_3 - Bu_4 = Synchronisiereneingang |
| R_8 = Synchronisier-Amplitudenregelung | Bu_5 - Bu_6 = Senkrechteingang |

ERGÄNZUNG ZU GM 5653

Die neue Ausführung GM 5653/01 weist wesentliche Verbesserungen auf, deshalb müssen in der beifolgenden Gebrauchsanleitung folgende Berichtigungen vorgenommen werden :

Seite 2. „EINLEITUNG“. Hinter Zeile 9 von oben ist einzufügen: Ausserdem hat der Synchronisations-Amplitudenregler eine Schaltstellung für selbstgesteuerte Zeitablenkung. In Zeile 9 ist 160 000 Hz abzuändern auf 500 000 Hz.

„ANWENDUNGEN“. In der dritten Zeile von unten steht: Wiedergabe des Bildkanals; lese statt dessen: Wiedergabekurve des Bildkanals.

Seite 3. Dritte Zeile von oben entfällt.

Seite 4. In der vierten Zeile steht: die ersten drei Stufen; lese statt dessen: die ersten drei Röhren.

Die fünfte Zeile ist abzuändern in: die Schirmgitterspannungen der zwei Röhren in der Endstufe sind stabilisiert.

Seite 5. Zweite Zeile von oben: für C_L lese man C_K .

Seite 6. Zeile 12 von unten: 1 HF-Pentode EF 42 ist zu verändern in 1 HF-Pentode UF 42.

Seite 7. In der 1. Spalte der Tabelle „*Waagerechtablenkung*“ ist hinter Bu_{11} hinzuzufügen: (Sk_7 unterbrochen).

In der Tabelle „*Frequenzbereich für Senkrechtablenkung*“, Spalte 3,

statt:	lese:
0	0
—12	+30
+30	+30
+6 - —3	+10 - —10
—25	—30
—55	—60
—70	—70

In der Tabelle „*Frequenzbereich für Waagerechtablenkung*“, Spalte 3, Stellung 10, steht: 40 000 — 160 000. Diese Zahlen sind zu verändern in 80 000 — 500 000.

Seite 8. Abschnitt: „ANLAGE“.

Einstellung auf die örtliche Netzspannung. Lese:

Die Netzspannung, auf die der Apparat eingestellt ist, kann an der Rückseite durch die Einblicköffnung abgelesen werden. Stimmt sie nicht mit der Spannung des Ortnetzes überein, so muss der Deckel an der Rückwand aufgeklappt werden; alsdann wird der Spannungswähler etwas herausgezogen, in die erforderliche Stellung gebracht (Spannungswerte *oben*) und wieder zurückgeschoben.

Unter: „SICHERUNGEN“; statt 1,6 A lese man 5 A, und die Kodenummer 08 141 54 ist zu verändern in 08 140 33.

Seite 9. Unter: „SENKRECHTABLENKUNG“, Zeile 7: statt $15 \text{ mV}_{\text{eff}}/\text{mm}$ lese man $15 \text{ mV}_{\text{eff}}/\text{cm}$.

Hinter Zeile 18 von unten ist hinzuzufügen: Sollte sich im Betrieb beim Drehen an R_7 die Linie zu stark aufgerichtet über den Bildschirm bewegen, so kann mit R_{15} die erforderliche Nachregelung vorgenommen werden. Dazu ist an der rechten Seite des Apparates nahe der Frontplatte eine Öffnung in der Seitenwand vorgesehen.

Seite 10. *Stellung 4: „Einmalige Ablenkung (1X / |)“*. Lese:

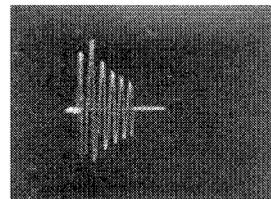
Um eine einzelne Figur photographisch aufzuzeichnen, ist es notwendig, den Kathodenstrahl so lange unterdrücken zu können, bis der Vorgang auf dem Schirm erscheint. Die Zeitablenkung wird dann eingeleitet, indem man Bu_3 und Bu_4 durchverbindet, bzw. diese Durchverbindung kurz öffnet und wieder schliesst (weiteres siehe bei „Einmalige Zeitablenkung und Schirmbildphotographie“). In dieser Stellung besteht auch die Möglichkeit zur Einschaltung eines (gesteuerten) Zeitablenksystems, d.h. einer Zeitablenkung, die durch das am „Vertikal“-Verstärker angeschlossene Signal gesteuert wird. Um diese Steuerung zu erreichen, muss R_8 ganz nach links gedreht werden, bis der mit R_8 verbundene Schalter umgeschaltet ist. Diese Stellung trägt die Bezeichnung „TRIGG“.

Stellung 6: „50~ - Extern“. Lese: „Stellung 6: 50~ - 50~“

Den Klemmen Bu_1 und Bu_2 auf der Frontplatte kann eine symmetrische, gesteuerte Spannung von 50 Hz entnommen werden. An den Klemmen Bu_3 und Bu_4 steht eine sinusförmige Spannung von der Netzfrequenz zur Verfügung.

Seite 11. „EINMALIGE ZEITABLENKUNG UND SCHIRMBILDPHOTOGRAPHIE“.

Lese: Zum Photographieren des Bildes wird das Philips aufklappbare Stativ GM 4193 mit der „Rolleicord“-Kamera besonders empfohlen; damit kann die Aufnahme bei Tageslicht erfolgen und bleibt das Bild auch während des Aufnahmevorganges sichtbar. Erleichtert wird das Aufnehmen durch die Anwendung einer einmaligen Ablenkung, die dadurch erreicht wird, dass man den Synchronisationschalter Sk_2 in Stellung 4 bringt. Es sind zwei Möglichkeiten vorgesehen, um eine einmalige Zeitablenkung herbeizuführen:



1. Mit Einstellknopf R_1 wird der Bildpunkt links auf dem Schirm eingestellt. Zwischen den Buchsen Bu_3 und Bu_4 wird ein Schalter angeschlossen. Durch Schliessen dieses Schalters wandert der Punkt mit konstanter Geschwindigkeit (abhängig von der jeweiligen Stellung von Sk_3 und R_6) nach rechts. Der Schalter muss während der ganzen Dauer des Vorganges Kontakt machen. Öffnen des Schalters hat ein sofortiges Zurückwandern des Punktes zur Folge.
2. Mit Einstellknopf R_1 wird der Bildpunkt rechts auf dem Schirm eingestellt. Der Schalter zwischen den Buchsen Bu_3 und Bu_4 wird geschlossen gehalten. Durch Öffnen des Schalters (die Öffnungszeit soll 10% der Laufzeit betragen) und darauffolgendes Schliessen wandert der Bildpunkt rasch von rechts nach links (nicht sichtbar, weil der Rücklaufstrahl unterdrückt ist), um sich hiernach mit konstanter Geschwindigkeit (abhängig von der jeweiligen Stellung von Sk_3 und R_6) nach rechts zu bewegen. Wird die Öffnungszeit des Schalters zu kurz gewählt, so kehrt der Bildpunkt sofort zurück.

~~Seite 11. Von unten statt ca. 15 V_{eff} lese man 10 V_{eff}~~

Seite 12. Unter: „VERWENDUNG DES ELEKTRONENSCHALTERS GM 4580“, Zeile 6:
 Bu_5 (oder Bu_3) ist zu verändern in Bu_5 (oder Bu_8) und Bu_1 (oder Bu_6) ist zu verändern in Bu_9 (Erde).

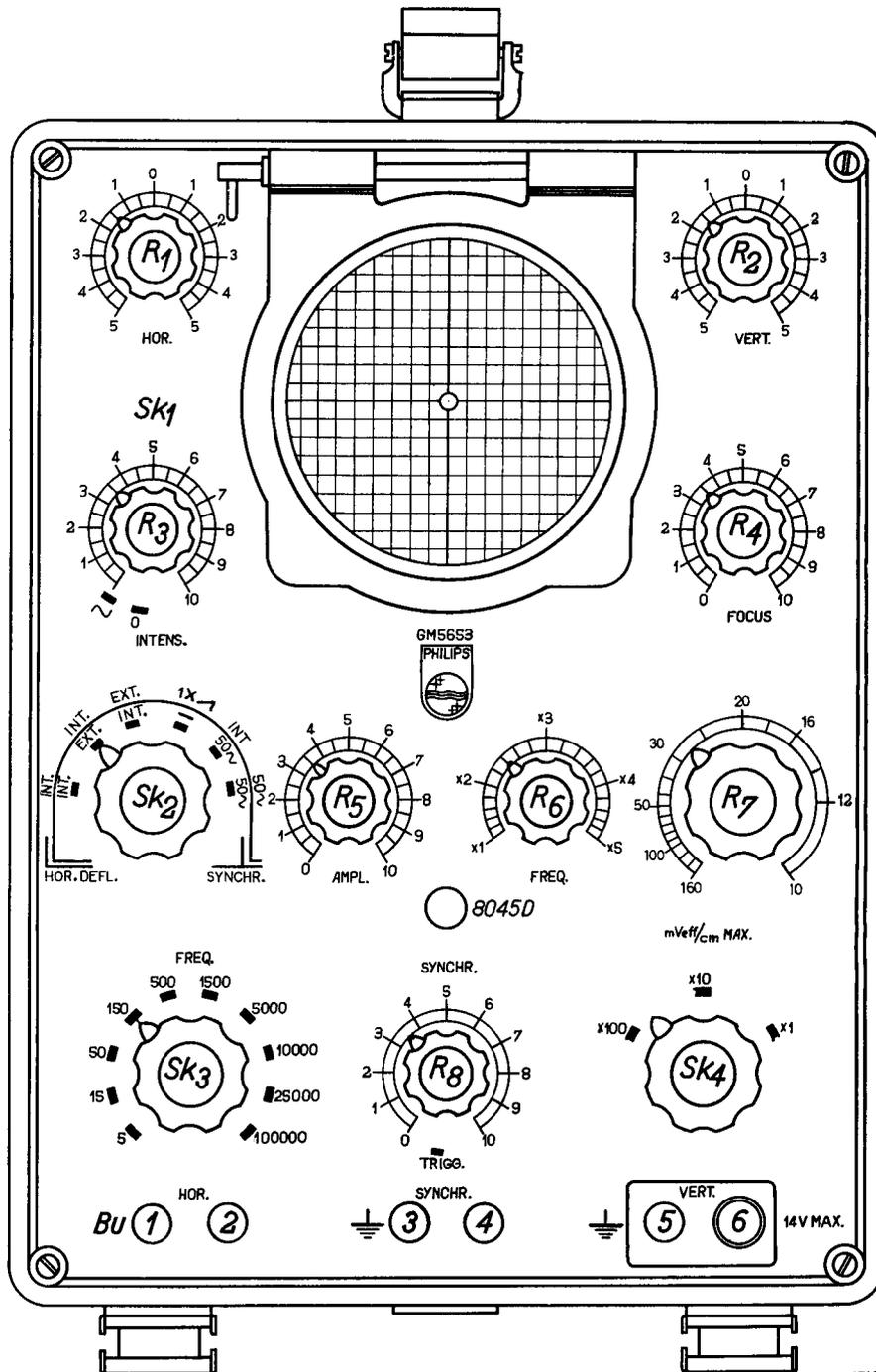
Unter: „VERWENDUNG DES ELEKTRONENSCHALTERS GM 4581“

Statt Bu_8 und Bu_9 lese man Bu_7 und Bu_8 .

Seite 11. Hinter „... Frequenz n an.“ (Zeile 7 von unten) ist hinzufügen: Dabei wird der innere Rückschlag ausgeschaltet.

In der neuen Ausführung GM 5653/02 ist die Röhre UL 41 (Speisungsgerät) ersetzt durch eine PL 81.

In Reklamationsfällen bzw. bei Briefwechsel über diesen Apparat erwähne man stets die Typenbezeichnung und die Seriennummer, wie auf dem Typenschild, rückwärts am Apparat, angegeben.



67124

Fig. 11

Vorderansicht des Oszillographen

- | | |
|--|--|
| R_1 = Waagerechteinstellung | Sk_1 = Netzschalter |
| R_2 = Senkrechteinstellung | Sk_2 = Synchronisierschalter |
| R_3 = Helligkeitsregelung | Sk_3 = Grobregelung Zeitablenkfrequenz |
| R_4 = Fokussierung | Sk_4 = Grobregelung Senkrechtamplitude |
| R_5 = Waagerechtlamplitude | |
| R_6 = Feinregelung Zeitablenkfrequenz | Bu_1 - Bu_2 = Waagerechteingang |
| R_7 = Feinregelung Senkrechtamplitude | Bu_3 - Bu_4 = Synchronisiereneingang |
| R_8 = Synchronisier-Amplitudenregelung | Bu_5 - Bu_6 = Senkrechteingang |

