

ADMIRALTY SIGNAL ESTABLISHMENT

(NR54A)

Specification AD/CV1176/Issue 2 Dated 10.10.45. To be read in conjunction with K1001.	<u>SECURITY</u> <u>Specification</u> <u>Valve</u> Restricted              Restricted
---	--

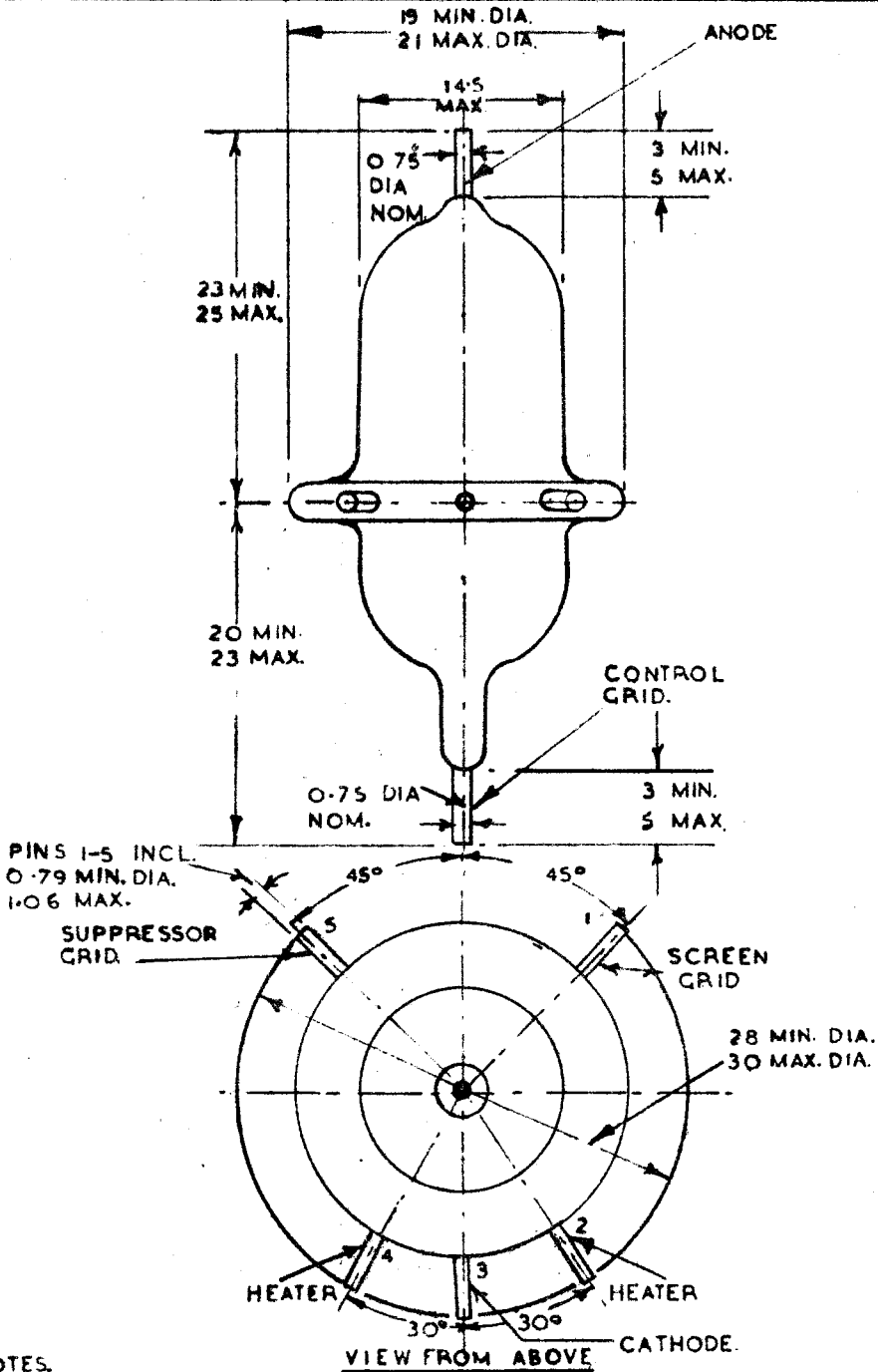
<u>TYPE OF VALVE</u> :- Acorn pentode with British pin-spacing.		<u>MARKING</u>  See K1001/4.
<u>CATHODE</u> :- Indirectly heated.		
<u>ENVELOPE</u> :- Glass, clear.		
<u>PROTOTYPE</u> :- ZA1, AP4.		
<u>RATING</u>	Note	<u>BASE</u>
Vh (V) 4.0	A	<u>DIMENSIONS AND CONNECTIONS</u>  See Page 2.
Ih (A) 0.25		
Va max. (V) 250		
Vg2 max. (V) 100		
gm (mA/V) 1.4		
Approx. freq. of operation (Mc/s) 300		
<u>CAPACITANCES (pF. approx.)</u>		<u>NOTE</u> A. At Va = 250 V, Vg2 = 100 V, Vg1 = -3 V, Vg3 = 0 V.
Cag 0.007		
Cac 3.0		
Cgc 3.0		

TESTS

To be performed in addition to those applicable in K1001.

	<u>Test Conditions</u>					<u>Test</u>	<u>Limits</u>		<u>No. Tested</u>
	Vh (V)	Vg1 (V)	Vg2 (V)	Vg3 (V)	Va (V)		Min.	Max.	
a	4.0	-	-	-	-	Ih (A)	0.235	0.250	100% or S
b	4.0	-3	100	0	250	Ia (A)	1.0	3.0	100%
c	4.0	-3	100	0	250	Ig2 (mA)	0.3	1.1	100% or S
d	4.0	-3	100	0	250	gm (mA/V)	1.0	1.8	100%
e	4.0	-3	100	0	250	Reverse Ig (μA)	-	1.5	100%
f	4.0	-10	100	0	250	Ia (μA)	-	120	100%

# CV1175 & CV1176. OUTLINE DIMENSIONS AND CONNECTIONS



**NOTES.**

- 1 VALVES ARE TO BE CHECKED IN A.S.E. GAUGE No. 225 FOR OVERALL DIAMETER AND PIN DISPOSITIONS
- 2 ALL DIMENSIONS ARE IN MILLIMETRES.