



1851

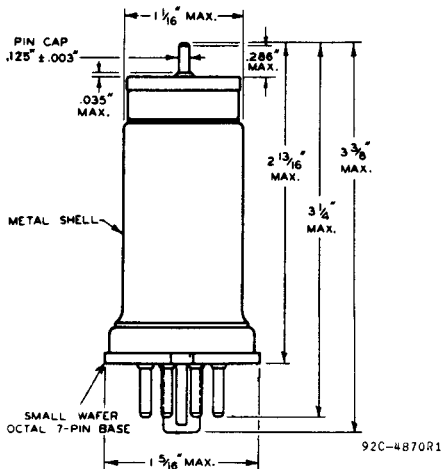
1851

## TELEVISION AMPLIFIER PENTODE

Heater ★	Coated Unipotential Cathode	
Voltage	6.3	a-c or d-c volts
Current	0.45	amp.
Direct Interelectrode Capacitances: °		
Grid to Plate	0.02 max.	μf
Input	11.5	μf
Output	5.2	μf
Maximum Overall Length	3-3/8"	
Maximum Diameter	1-5/16"	
Bulb	Metal Shell, MT-8	
Cap	Pin Cap	
Base	Small Wafer Octal 7-Pin	

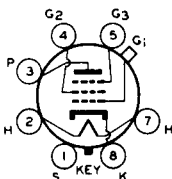
° with shell connected to cathode.

For additional data and curves, refer to Type 1852. The 1851 and 1852 are identical electrically except for capacitances.



BOTTOM VIEW OF SOCKET CONNECTIONS

- G<sub>1</sub> = GRID
- G<sub>2</sub> = SCREEN
- G<sub>3</sub> = SUPPRESSOR
- H = HEATER
- K = CATHODE
- P = PLATE
- S = SHELL



## MOUNTING POSITION

VERTICAL: Base up or down.  
HORIZONTAL: Permissible with Pins #2 & #7 in vertical plane.

JULY 1, 1938

RCA RADOTRON DIVISION  
RCA MANUFACTURING COMPANY, INC.

TENTATIVE DATA

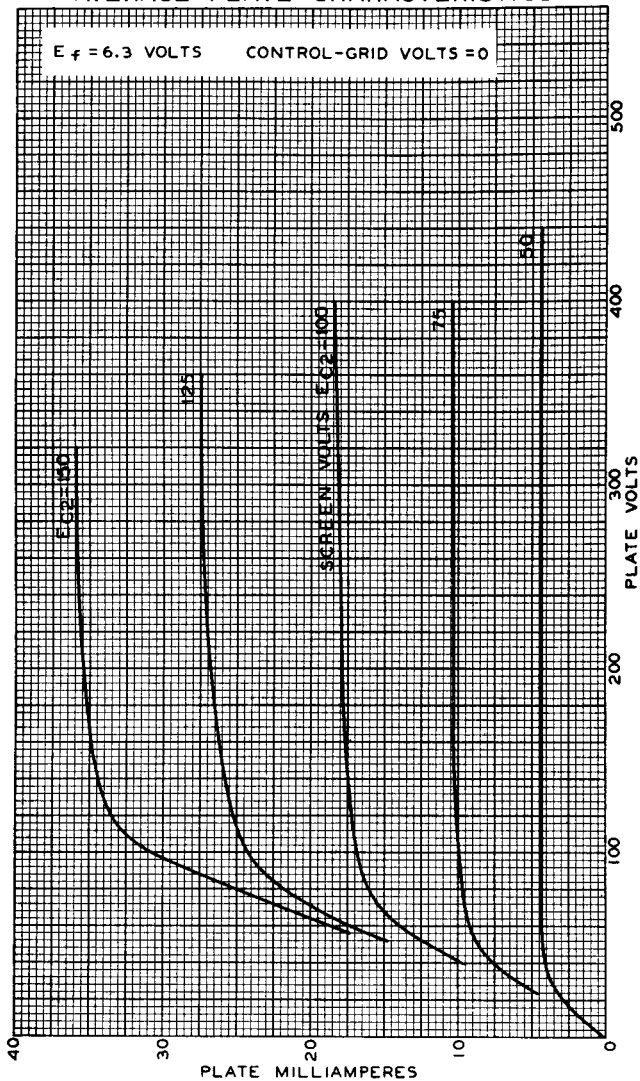
1851



1851

### AVERAGE PLATE CHARACTERISTICS

$E_f = 6.3$  VOLTS      CONTROL-GRID VOLTS = 0



FEB. 14, 1938

RCA RADOTRON DIVISION  
RCA MANUFACTURING COMPANY, INC.

92C-4877