



6BY5-GA

6BY5-GA FULL-WAVE VACUUM RECTIFIER

For Television Damper Service

GENERAL DATA

Electrical:

Heater, for Unipotential Cathodes:

Voltage	6.3	ac or dc volts
Current	1.6	amp

Mechanical:

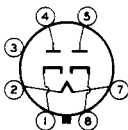
Mounting Position	Any
Maximum Overall Length	3-7/8"
Maximum Seated Length	3-5/16"
Maximum Diameter	1-9/16"
Bulb	T-12
Base	Medium-Shell Octal 7-Pin (JETEC No. B7-12), or Short-Medium-Shell Octal 7-Pin with External Barriers (JETEC No. B7-119)

Basing Designation for BOTTOM VIEW 6CN

Pin 1 - Cathode of Unit No. 2

Pin 2 - Heater

Pin 3 - No Connection - Do Not Use*



Pin 4 - Plate of Unit No. 2

Pin 5 - Plate of Unit No. 1

Pin 7 - Heater

Pin 8 - Cathode of Unit No. 1

DAMPER SERVICE

Values are for Each Unit

Maximum Ratings, Design-Center Values Except as Noted:

For operation in a 525-line, 30-frame system[□]

PEAK INVERSE PLATE VOLTAGE

(Absolute maximum)[#] 3000[■] max. volts

PEAK PLATE CURRENT 525 max. ma

DC PLATE CURRENT 175 max. ma

PEAK HEATER-CATHODE VOLTAGE:

Heater negative with respect to cathode 450 max. volts

Heater positive with respect to cathode 100 max. volts

* Socket terminal No. 3 should not be used as tie point.

□ As described in "Standards of Good Engineering Practice Concerning Television Broadcast Stations", Federal Communications Commission.

This rating is applicable where the duty cycle of the voltage pulse does not exceed 15 per cent of one horizontal scanning cycle. In a 525-line, 30-frame system, 15 per cent of one horizontal scanning cycle is 10 microseconds.

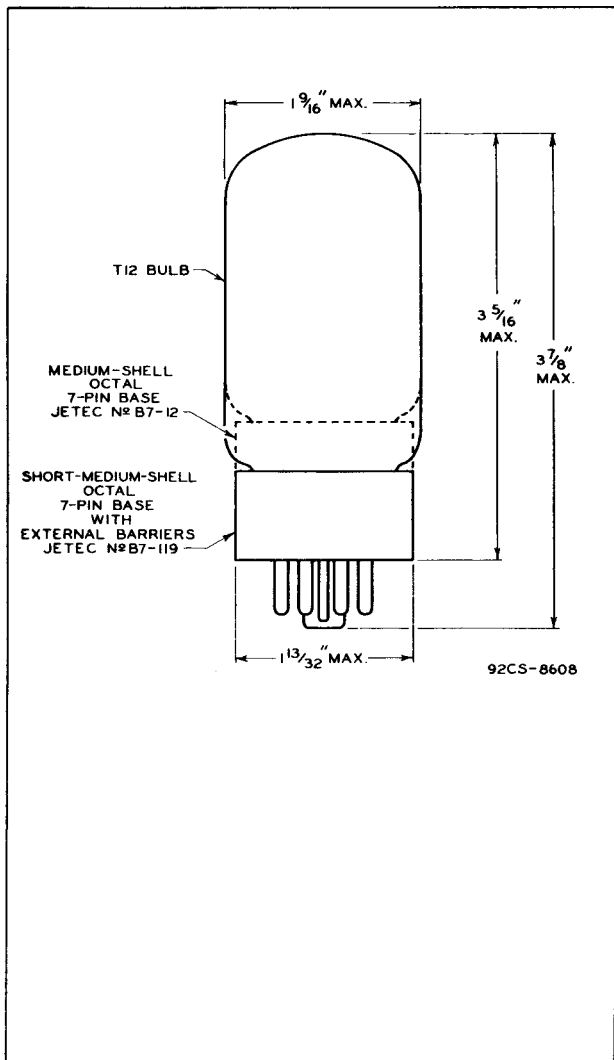
■ Under no circumstances should this absolute value be exceeded.

6BY5-GA



6BY5-GA

FULL-WAVE VACUUM RECTIFIER



92CS-8608

MAY 1, 1955

TUBE DIVISION

CE-8608

RADIO CORPORATION OF AMERICA, HARRISON, NEW JERSEY