

CHARACTERISTICS

GENERAL DATA

Focusing Method	Magnetic
Deflecting Method	Magnetic
Deflection Angle (approx.)	50 Degrees
Phosphor	P7
Fluorescence	Blue-White
Phosphorescence	Yellow
Persistence	Long

ELECTRICAL DATA

Heater Voltage	6.3 Volts
Heater Current (approx.)	0.6 Ampere
Direct Interelectrode Capacitances (approx.)	
Cathode to All Other Electrodes	5 μmf
Grid No. 1 to All Other Electrodes	6 μmf

MECHANICAL DATA

Minimum Useful Screen Diameter	9 Inches
Bulb Contact (Recessed Small Cavity Cap)	J1-21
Base (Small Shell Duodecal 5-Pin)	B5-57
Basing	12D
Bulb Contact Aligns with Vacant Pin Position No. 3	± 10 Degrees

RATINGS

MAXIMUM RATINGS (Design Center Values)

Anode Voltage	10,000 Volts dc
Grid No. 2 Voltage	700 Volts dc
Grid No. 1 Voltage	
Negative Bias Value	180 Volts dc
Positive Bias Value	0 Volts dc
Positive Peak Value	2 Volts
Peak Heater-Cathode Voltage	
Heater Negative with Respect to Cathode	
During Warm-up Period Not to Exceed	
15 Seconds	410 Volts
After Warm-up Period	150 Volts
Heater Positive with Respect to Cathode	150 Volts

RECOMMENDED OPERATING CONDITIONS

Anode Voltage	9,000 Volts dc
Grid No. 2 Voltage	250 Volts dc
Grid No. 1 Voltage Required for Cutoff ¹	-27 to -63 Volts dc
Focusing Coil Current (approx.) ²	105 Ma dc

CIRCUIT VALUES

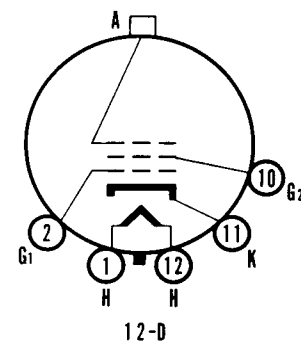
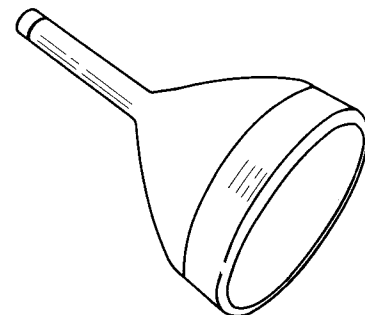
Grid No. 1 Circuit Resistance	1.5 Megohms Max.
---	------------------

NOTES:

1. Visual extinction of undeflected focused spot.
2. For JETEC focusing coil 106 or equivalent, center three and one quarter inches from reference line.

QUICK REFERENCE DATA

Special Purpose Tube
10" Direct Viewed
Round Glass Type
Magnetic Deflection
Magnetic Focus



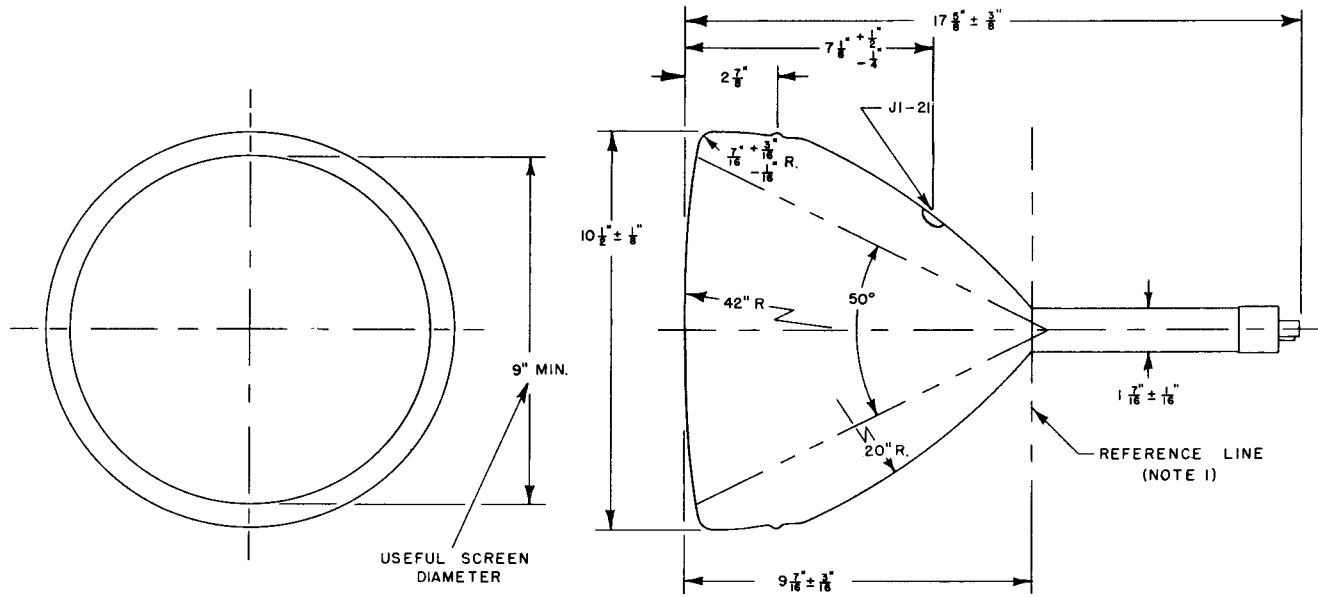
**SYLVANIA ELECTRIC
PRODUCTS INC.**

**TELEVISION PICTURE TUBE
DIVISION
SENECA FALLS, NEW YORK**

*Prepared and Released By The
TECHNICAL PUBLICATIONS SECTION
EMPORIUM, PENNSYLVANIA*

SYLVANIA

10KP7



S52033A

DIAGRAM NOTE:

1. Reference line is determined by JETEC No. 112 reference line gauge.

WARNING:

X-ray radiation shielding may be necessary to protect against possible danger of personal injury from prolonged exposure at close range if this tube is operated at higher than the manufacturer's Maximum Rated Anode Voltage or 16,000 volts, whichever is less.