

**MECHANICAL DATA**

Bulb . . . . .	T-12
Base . . . . .	B8-71, Short Jumbo Shell Octal 8-Pin
Outline . . . . .	See Drawing
Basing . . . . .	8GB
Cathode . . . . .	Coated Unipotential
Mounting Position . . . . .	Any

**ELECTRICAL DATA**

**HEATER CHARACTERISTICS**

Heater Voltage . . . . .	6.3 Volts
Heater Current . . . . .	3.0 Amperes
Heater-Cathode Voltage <sup>1</sup>	
Heater Positive with Respect to Cathode	
DC . . . . .	100 Volts Max.
Total DC and Peak . . . . .	300 Volts Max.
Heater Negative with Respect to Cathode	
DC . . . . .	900 Volts Max.
Total DC and Peak (Absolute Value) . . . . .	4500 Volts Max.

**DIRECT INTERELECTRODE CAPACITANCES (Approx.)**

Plate to Heater and Cathode . . . . .	11.5 $\mu\mu\text{f}$
Cathode to Heater and Plate . . . . .	16 $\mu\mu\text{f}$
Heater to Cathode . . . . .	5 $\mu\mu\text{f}$

**RATINGS (Design Center Values — Except as Noted)**

<b>Damper Service<sup>2</sup></b>	
Peak Inverse Plate Voltage (Absolute Value) . . . . .	4500 Volts Max.
Peak Plate Current . . . . .	1200 Ma Max.
DC Plate Current . . . . .	200 Ma Max.
Plate Dissipation . . . . .	8.0 Watts Max.

**NOTES:**

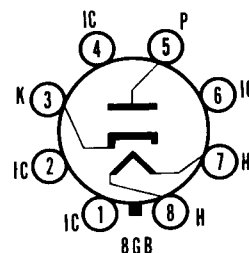
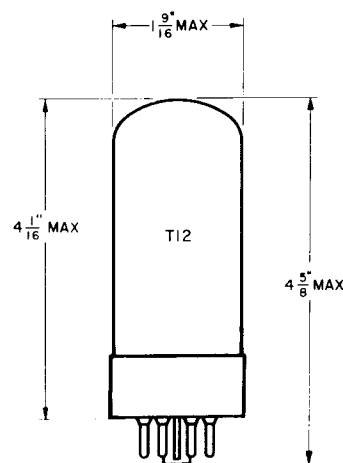
1. Design center values except as noted.
2. For operation in a 525 line, 30 frame system as described in "Standards of Good Engineering Practice for Television Broadcast Stations; Federal Communications Commission", the duty cycle of the voltage pulse must not exceed 15% of one horizontal scanning cycle.

**WARNING:**

*X-ray radiation shielding may be necessary to protect against possible danger of personal injury from prolonged exposure at close range if this tube is operated at higher than the manufacturer's Maximum Rated Anode Voltage or 16,000 volts, whichever is less.*

**QUICK REFERENCE DATA**

The Sylvania Type 6BL4 is a half-wave rectifier employing an indirectly heated cathode and a T-12 envelope. It is designed for application as a damper diode in color television receivers.

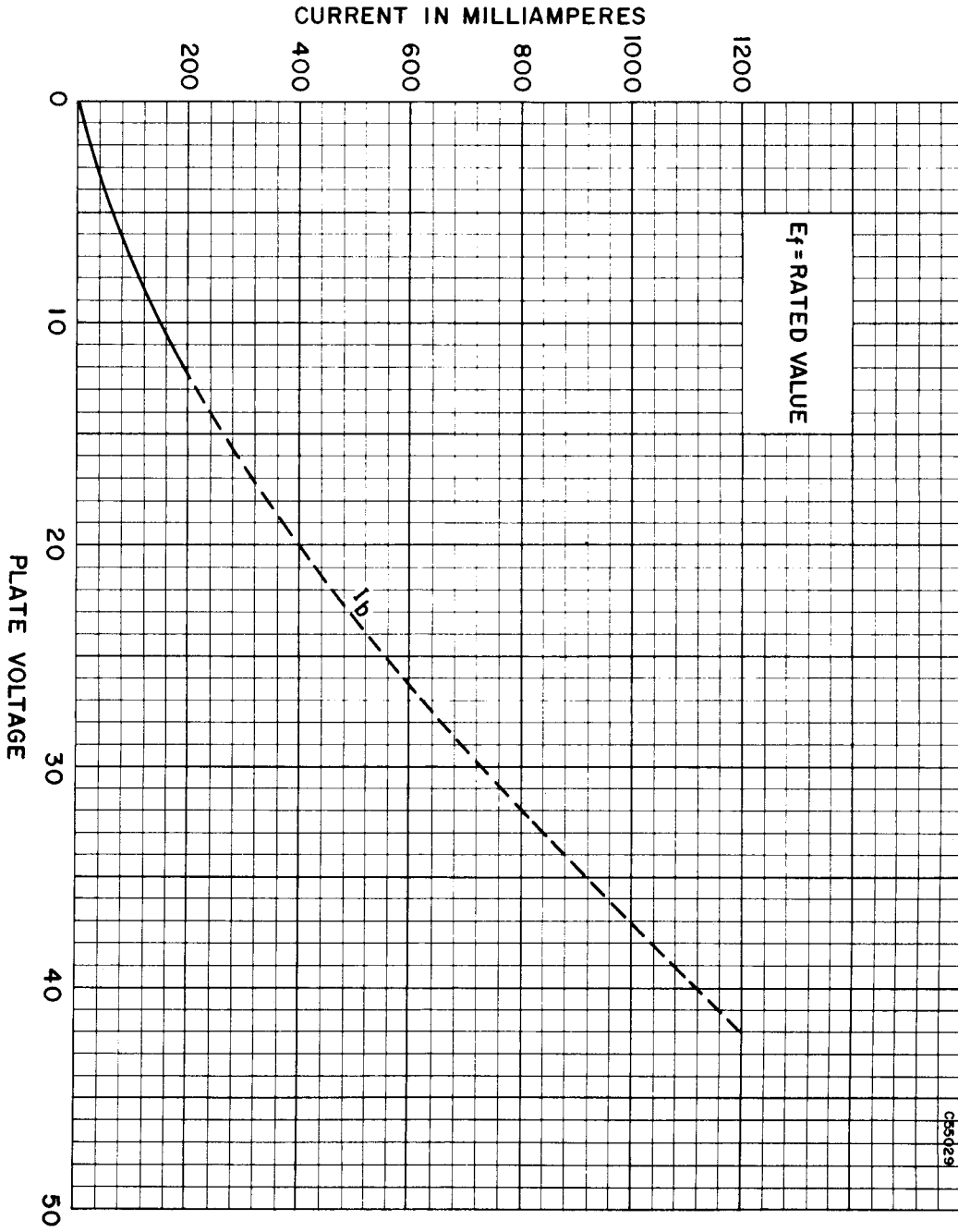


**SYLVANIA ELECTRIC PRODUCTS INC.**

**RADIO TUBE DIVISION EMPORIUM, PA.**

*Prepared and Released By The TECHNICAL PUBLICATIONS SECTION EMPORIUM, PENNSYLVANIA*

## AVERAGE PLATE CHARACTERISTICS



035029