



Output Pentode

5A/102A
5A/102D

5A/102A and D

(5A/102A is for replacement purposes only)

CATHODE.

Indirectly-heated Oxide-coated

Current	0.85	A
Nominal voltage	7.5	V

RATING.

Mutual conductance	{ Measured at V_a 180V V_{g_2} 150V V_{g_1} -18V }	2.5	ma/V
--------------------	---	-----	------

INTER-ELECTRODE CAPACITIES.

Grid to anode	0.5	pF
Input	6.8	pF
Output	9	pF

DIMENSIONS.

	5A/102A	5A/102D
Maximum overall length	134 mm.	134 mm.
Maximum bulb diameter	46 mm.	46 mm.
Net weight	50 g.	55 g.
Base	Am 6 pin.	Int. Octal

MAXIMUM RATINGS.

Maximum direct anode voltage	180	V
Maximum direct anode current	50	mA
Maximum direct screen voltage	150	V
Maximum direct screen current	10	mA
Maximum control grid resistance (using auto-bias)	500	k Ω

5A/102A
5A/102D

Output Pentode



5A/102A and D

(5A/102A is for replacement purposes only)

TYPICAL OPERATING CONDITIONS.

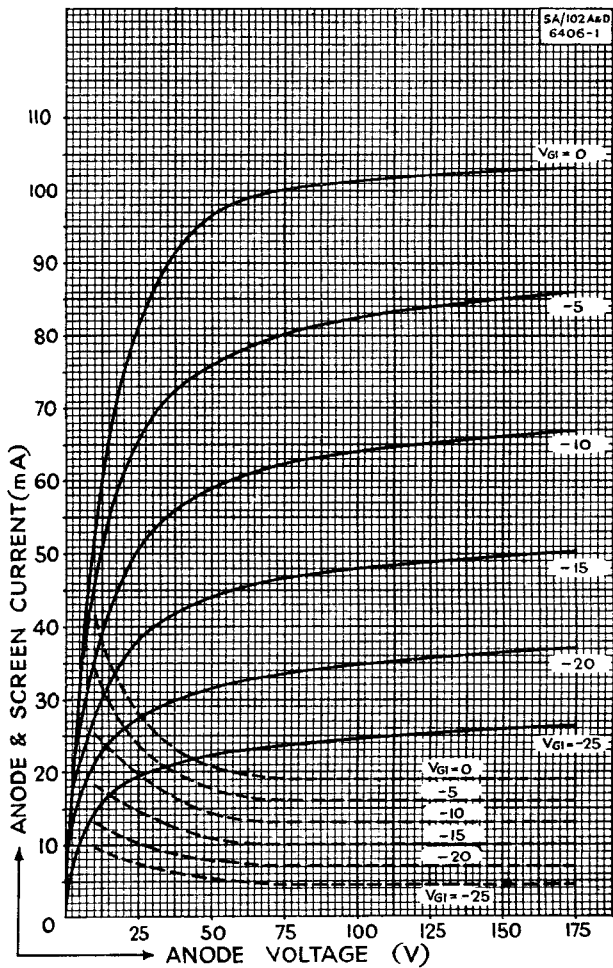
Anode voltage	180 volts
Control grid voltage	—18 volts
Screen voltage	150 volts
Suppressor voltage	0 volts
Load resistance	4,000 ohms
Output mW	50 100 250 500 750 1,000
Total harmonics, db below fundamental	34 31 28 26 25 24



Output Pentode

5A/102A and D

(5A/102A is for replacement purposes only)



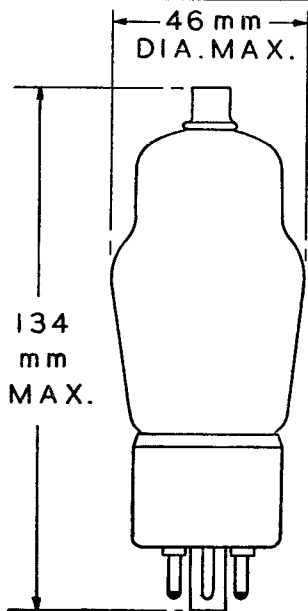
5A/102A
5A/102D

Output Pentode



5A/102A and D

(5A/102A is for replacement purposes only)

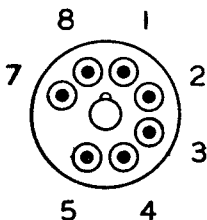


5A/102A BASING

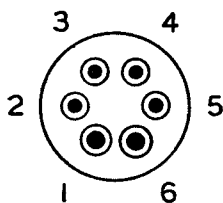
- 1 HEATER
- 2 ANODE
- 3 GRID 2
- 4 GRID 3
- 5 CATHODE
- 6 HEATER

5A/102D BASING

- 1 BLANK
- 2 HEATER
- 3 ANODE
- 4 GRID 2
- 5 GRID 3
- 7 HEATER
- 8 CATHODE



5A/102D



5A/102A