

17ASP4

17" RECTANGULAR TELEVISION TUBE

Release No. 1209

GENERAL DATA

Fluorescent Colour of Screen	white
Focus	magnetic
Deflection	magnetic
Deflection Angle (for diagonal of 391 mm)	70 degrees
Ion Trap	magnetic
Weight (approx.)	16½ lbs.
Mounting Position	- Any, except vertical with screen uppermost

CATHODE DATA

Indirectly heated - series or parallel operation			
Heater Voltage	V_h	6.3	V
Heater Current	I_h	0.3	A
Heater Voltage Switching Surge must not exceed 8.5 volts			

CAPACITANCES

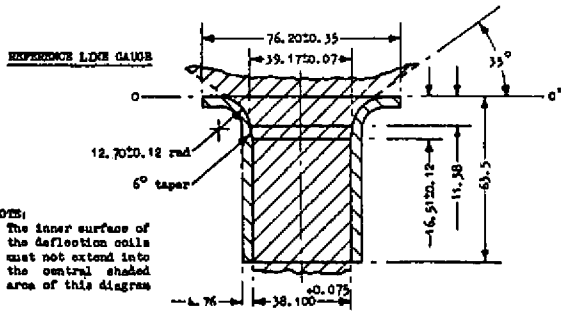
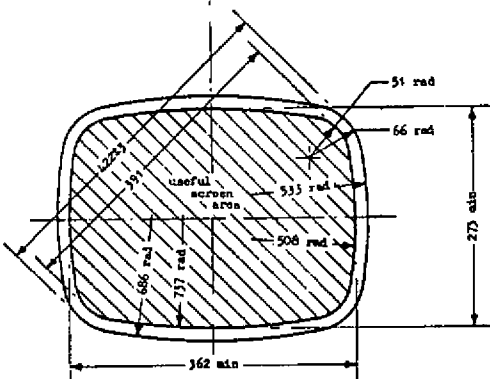
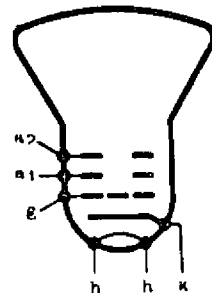
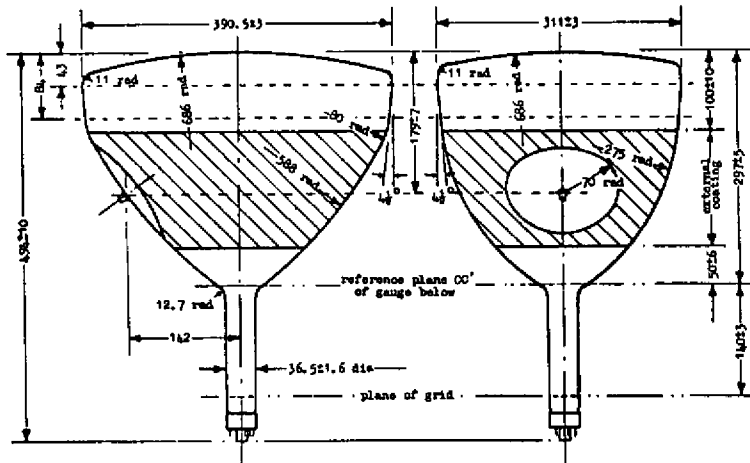
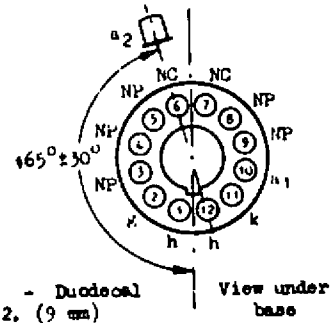
Grid/All other electrodes	$c_{g,all}$	6.5	pF
Cathode/All other electrodes	$c_{k,all}$	5.5	pF
Anode No.2/External coating	$c_{a2,M}$	1,100	pF

RATINGS

Max. Anode No.2 Voltage	V_{a2} max.	14	KV
Max. Anode No.1 Voltage	V_{a1} max.	410	V
Min. Anode No.1 Voltage	V_{a1} min.	200	V
Min. Grid Voltage	V_g min.	-1	V
Max. Grid Voltage (Visual cut-off)	V_g max.	$-0.24 \times V_{a1}$	V
Max. Peak Heater/Cathode Voltage (heater negative to cathode)	$V_{h,k(pk)}$ max.	150	V
Max. Grid Resistor	$R_{g,k}$ max.	1	MΩ

TYPICAL OPERATION

Anode No.2 Voltage	V_{a2}	12	KV
Anode No.1 Voltage	V_{a1}	250	V
Grid Drive for Peak Brightness	V_g change	30	V
Peak Cathode Current	$i_k(pk)$	220	μA



All dimensions in millimetres

Electronic Tubes Ltd.
Kingsmead Works
High Wycombe, Bucks,
England