

X-RAY COUNTER TUBE

The IB89 is a self-quenched, X-ray sensitive counter tube with a 0.030 inch thick by 5/8 inch diameter beryllium window. The gas filling and internal spacing are designed to give a high quantum efficiency for 1.54 A.U. X-radiation and a low response to radiation of other wavelengths.

The IB89 is capable of linear counting to 10,000 counts per second with a circuit input sensitivity of at least 0.05 volts. It does not require excessive amplification or pulse shaping in the associated circuits.

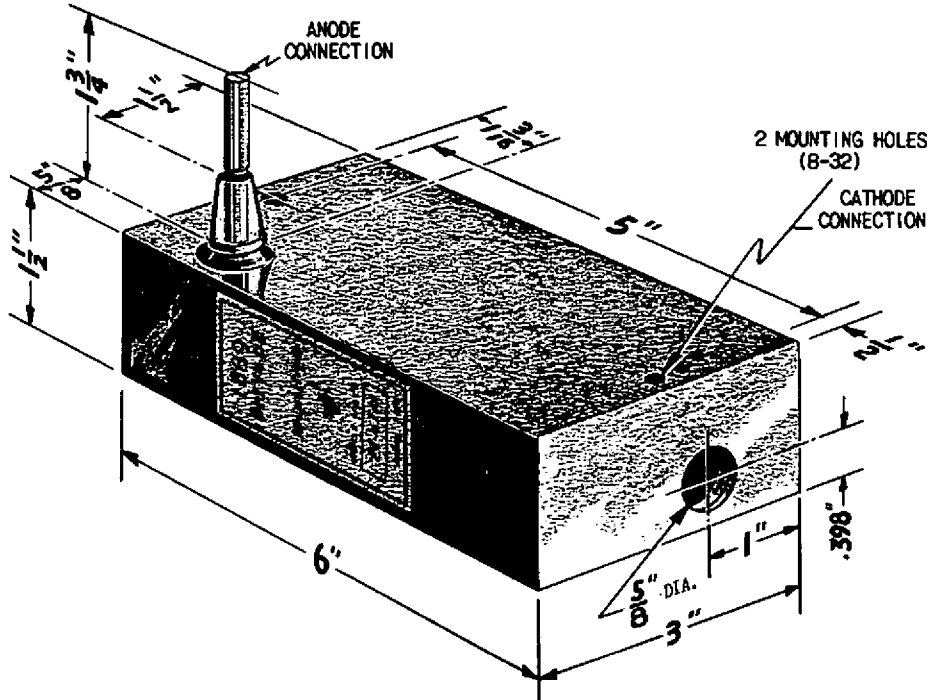
CHARACTERISTICS

THRESHOLD VOLTAGE*.....	1400	VOLTS	(MAX)
PLATEAU SLOPE* (V ₀ =1400 TO 1600 V).....	10%/100	VOLTS	(MAX)
RECOVERY TIME.....	10	μ SEC	
BACKGROUND (V ₀ =1500 V).....	50	C/M	(NOM)
LIFE (AT 10,000 C/M, V ₀ =1500 V).....	10 ⁸	COUNTS (MIN)	
ACTIVE LENGTH.....	4	INCHES	
WINDOW (BERYLLIUM).....	0.030" THICK X 5/8"	DIAMETER	
ELECTRODE CAPACITANCE.....	9	μμf	

RATINGS

OPERATING VOLTAGE.....	1500	VOLTS	(NOM)
AMBIENT TEMPERATURE.....	+10°	C	(MIN)
	+100°	C	(MAX)
RELATIVE HUMIDITY.....	100%		(MAX)

*NEW TUBES



SYMBOL



THE VICTOREEN INSTRUMENT CO.

5806 HOUGH AVE., CLEVELAND 3, OHIO